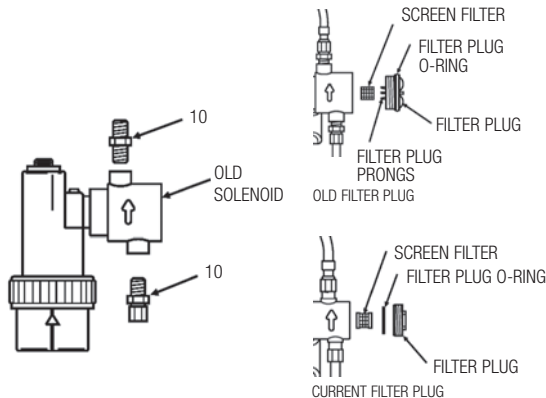
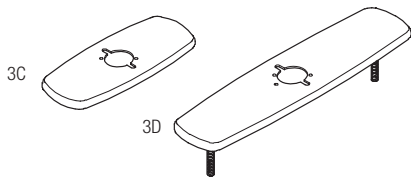
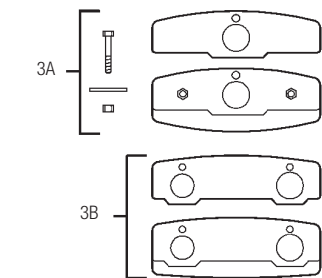
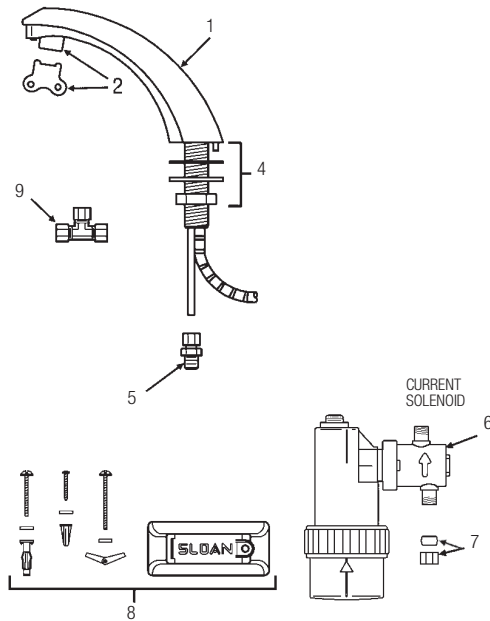


OLD Optima® EBF-85/EBF-187



EBF-85

EBF-187



PARTS LIST—EBF-85/EBF-187 FAUCET

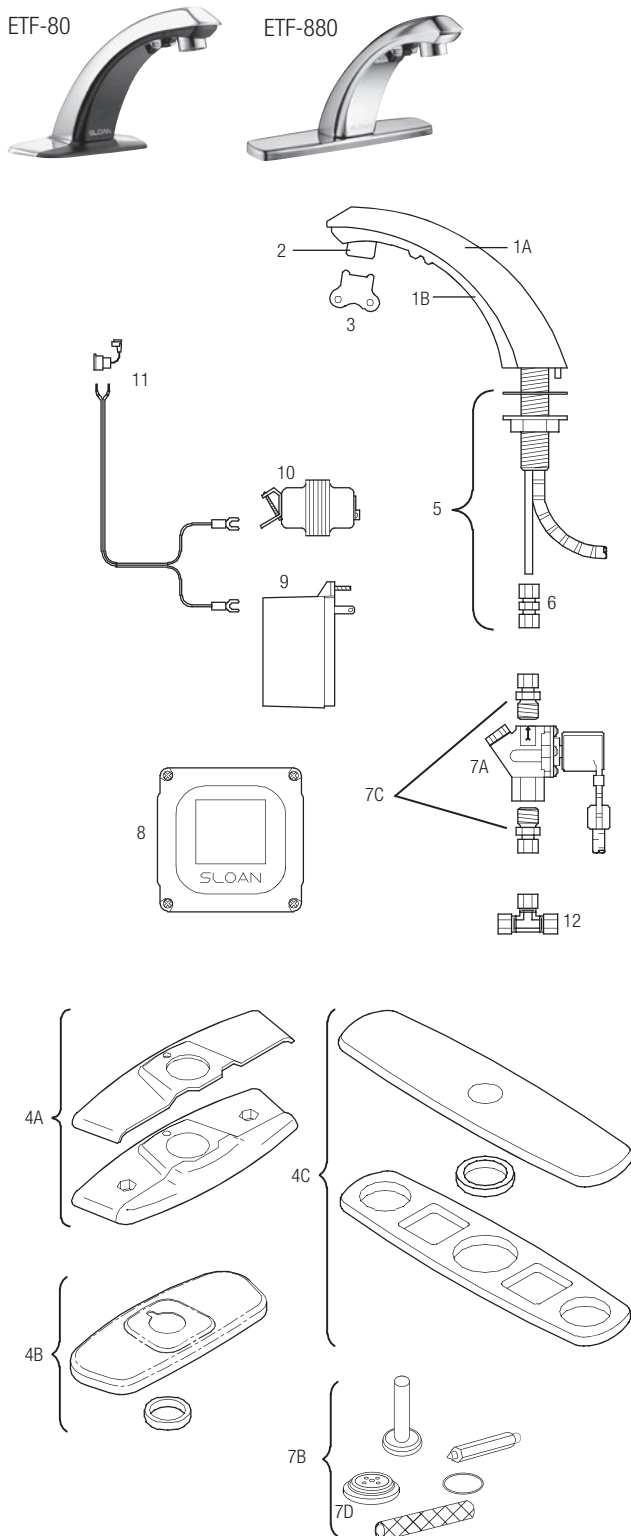
Item No.	Code No.	Part No.	Description
1.	3315016	EBF-10-A	Faucet and Sensor Assembly (EBF-85)
	0315112PK	EBF-170-A	Faucet and Sensor Assembly (EBF-187 with CP Metal Throat Plate)
—	3315122	EBF-1009-A	Fiber Optic Sensor Cable Assembly Only (replaces EBF-12-A and EBF-179-A includes lens holder)
2.	3365091	ETF-1021-A	0.5 gpm (1.9 Lpm) Spray Head with Key (female thread)
—	3365090	ETF-1022-A	2.2 gpm (8.3 Lpm) Aerator Spray Head with Key (female thread)
—	3365161	ETF-1028-A	1.5 gpm (5.7 Lpm) Laminar Flow Spray Head with Key (female thread)
—	3365755	ETF-1038-A	0.35 gpm (1.3 Lpm) Multi-Lam Spray Head VR
—	0305927	ETF-435	Replacement Key ONLY
3A.	3365466	ETF-295-A	4" (102 mm) Centerset Trim Plate Kit for Faucet (Faucet Only) includes two (2) Nuts, two (2) Hex Screws, two (2) Flat Washers, Single Hole Cover Plate, and CP Base Plate
3B.	3365467	ETF-299-A	4" (102 mm) Centerset Trim Plate Kit for Faucet with Optional Mixing Valve includes two (2) Nuts, two (2) Hex Screws, two (2) Flat Washers, Dual Hole Cover Plate, and CP Base Plate
3C.	3365468	ETF-312-A	4" (102 mm) Centerset Trim Plate Kit for EBF-187 Faucet includes Back-up Spacer, Self-tapping Screw and CP Single Hole Trim Plate Assembly
3D.	3365024	ETF-510-A	8" (203 mm) Centerset Trim Plate Kit for EBF-85 or EBF-187 Faucet; includes two (2) Finger Nuts, two (2) Washer Gaskets, two (2) Fender Washers, Base Gasket, Back-up Spacer and CP Single Hole Trim Plate Assembly
4.	0305626	ETF-290-A	Faucet Mounting Kit includes Rubber Gasket, Mounting Washer, Mounting Nut, and Compression Fitting Connector
5.	0305736	ETF-297	1/4" to 3/8" Compression Fitting Connector
6.	3315111	EBF-11-A	Solenoid Valve Module Assembly includes Solenoid Enclosure, Solenoid Body, and Filter Cap
—	3315009	EBF-1001-A	Solenoid Filter Replacement Kit for old solenoid includes Filter Screen Assembly and O-ring
—	3315028	EBF-1004-A	Solenoid Filter Replacement Kit for current solenoid includes Filter Screen Assembly and O-ring
—	3315051	EBF-1005-A	Filter Cap Assembly for old solenoid includes metal Filter Cover and O-ring – OBSOLETE
7.	3315029	EBF-113	Single Supply Solenoid Kit
	3315001	EBF-16-A	Single Supply Solenoid Kit with Ferrule Compression Nut OBSOLETE
8.	3315014	EBF-25-A	Mounting Bracket Kit includes Base Plate, Wall Bracket Base, Wall Bracket, Mounting Screw, Self-tapping Screw, two (2) Wood Screws plus Washers and Plastic Anchors, two (2) Screws plus Washers and Toggle Nuts, two (2) Screws plus Washers and Hollow Wall Anchors
9.	3365461	ETF-617-A	Bak-Chek® "T" Assembly
10.	0315004	EBF-17	3/8" to 1/4" Compression Fitting Connector - OBSOLETE

— = Not shown in illustration

SOLENOID VALVE CHANGES

The current solenoid (in production since May 1998; part 7 shown on the left) has MALE inlet and outlet connections. The current style filter plug has a metal filter cap that can be removed with a 5/8" wrench. The older solenoid valve (shown on the left) can be identified by FEMALE inlet and outlet connections. These require EBF-17 compression fittings (part 10 shown on the left). This older style solenoid has either a plastic or a replacement brass filter cap. Remove the older brass filter cap with a 7/16" or 1/2" hex wrench. Replace the old style filter cap.

OLD Optima® ETF-80/ETF-880



PARTS LIST—ETF-80 AND ETF-880 FAUCETS

Item No.	Code No.	Part No.	Description
1A.	0305613	ETF-250-A	Faucet/Sensor Assembly (ETF-80)
	0365054	ETF-625-A	Faucet/Sensor Assembly (ETF-880)
1B.	3365523	ETF-631-A	Sensor Assembly Only (for Faucets manufactured after 10/2003, identified by an all white Sloan name on throat plate) (ETF-80). For ETF-80 faucets prior to 10/2003 (identified by a white and red Sloan name on throat plate) sensor assembly discontinued. Use ETF-250 faucet/sensor assembly.
	OBSOLETE	ETF-1031	Repair Kit Throat Plate and Sensor (ETF-880)
2.	3365091	ETF-1021-A	0.5 gpm (1.9 Lpm) Spray Head with Key (female thread)
	3365090	ETF-1022-A	2.2 gpm (8.3 Lpm) Aerator Spray Head with Key (female thread)
	3365161	ETF-1028-A	1.5 gpm (5.7 Lpm) Laminar Flow Spray Head with Key (female thread)
	3365755	ETF-1038-A	0.35 gpm (1.3 Lpm) Multi-Lam Spray Head VR
3.	0305927	ETF-435	Replacement Key ONLY
4A.	3365466	ETF-295-A	4" (102 mm) Centerset Trim Plate Kit for Faucet (Faucet Only) includes two (2) Nuts, two (2) Hex Screws, two (2) Flat Washers, Single Hole Cover Plate, and CP Base Plate (ETF-80)
—	3365467	ETF-299-A	4" (102 mm) Centerset Trim Plate Kit for Faucet with Optional Mixing Valve includes two (2) Nuts, two (2) Hex Screws, two (2) Flat Washers, Dual Hole Cover Plate, and CP Base Plate (ETF-80)
4B.	3365473	ETF-662-A	4" (102 mm) Centerset Trim Plate Kit (CP) (ETF-880)
4C.	3365024	ETF-510-A	8" (203 mm) Centerset Trim Plate Kit includes two (2) Finger Nuts, two (2) Washer Gaskets, two (2) Fender Washers, Base Gasket, Back-up Spacer and CP Single Hole Trim Plate Assembly (CP) (ETF-880)
5.	0305626	ETF-290-A	Faucet Mounting Kit includes Rubber Gasket, Mounting Washer, Mounting Nut, and 4439071 Compression Fitting Connector
6.	0305736	ETF-297	1/4" to 3/8" Compression Fitting Connector
7A.	0305849	ETF-370-A	24 VAC Solenoid Valve Assembly includes 18" (457 mm) armored Cable and two (2) Terminal Housings
7B.	3305577	ETF-1009-A	Solenoid Valve Repair Kit includes Replacement Filter, Guide, Armature Spring, Diaphragm and Washer
7C.	3365676	ETF-437-A	Single Solenoid Supply Kit includes, two (2) Compression Fittings (Supplied only with complete faucet)
7D.	3375003	MCR-1003-A	Diaphragm only
8.	3365000	ETF-450-A	Control Module Assembly includes splashproof Junction Box and Junction Box Mounting Kit
9.	0365534	ETF-233	120V/35VA Plug-In Transformer
10.	0345370	EL-248-40	24V/40 VA Box Mount Transformer
11.	0365001	ETF-458-A	Input Power Cable (Transformer to Control Module) includes Strain Relief and two (2) Terminal Crimp Connectors
12.	3365461	ETF-617-A	Bak-Chek® Tee Assembly
—	3305560	ETF-1006-A	Repair Kit for old-style ETF-80 Faucets (manufactured before 1992) includes Hex Screw, 5/64" Hex Wrench, Cable Assembly, Hose Clamp, 5-connector Housing, Key for Spray Heads, Access Plate/Sensor Assembly, and Control Module Assembly — OBSOLETE

OLD-STYLE FAUCETS

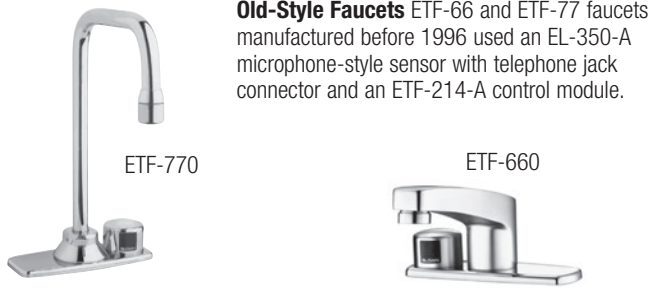
ETF-80 faucets manufactured before 1992 had all their electronic circuitry located within the body of the spout.

Replacement parts (including sensor components) are available in repair kits ETF-1006-A. — **OBSOLETE**

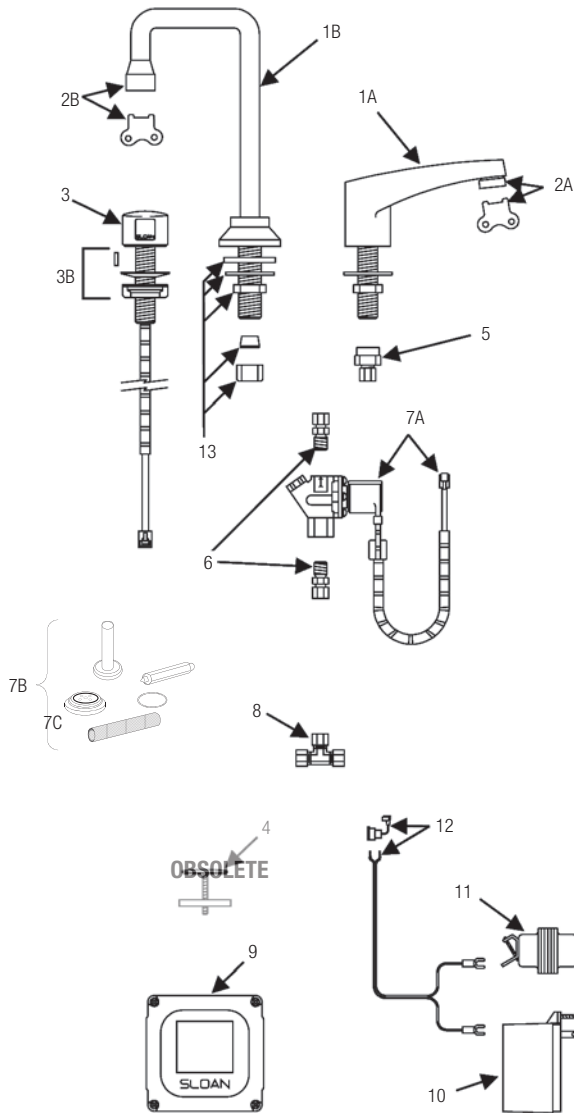
See page 157 for faucet cable extension cords.

— = Not shown in illustration

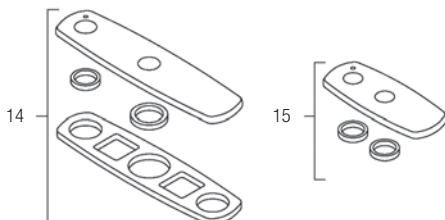
OLD Optima® ETF-660/ETF-770



Old-Style Faucets ETF-66 and ETF-77 faucets manufactured before 1996 used an EL-350-A microphone-style sensor with telephone jack connector and an ETF-214-A control module.



Optional Trim Plates



PARTS LIST—ETF-660 AND ETF-770 FAUCETS

Item No.	Code No.	Part No.	Description
1A.	0365162	ETF-595-A	Lavatory Faucet Assembly (ETF-660)
1B.	0305536	ETF-261-A	Deck-Mounted Gooseneck Faucet Assembly (ETF-770)
2A.	3365092	ETF-1023-A	0.5 gpm (1.9 Lpm) Spray Head with Key (male thread)
	3365093	ETF-1024-A	2.2 gpm (8.3 Lpm) Aerator Spray Head with Key (male thread)
	3365162	ETF-1029-A	2.2 gpm (8.3 Lpm) Laminar Flow Spray Head with Key (male thread)
	0335927	ETF-435	Replacement Key Only for ETF-1023-A Spray Head and ETF-1024-A Aerator Spray Head (NOT required for F-175-L Laminar Flow Spray Head)
	3365756	ETF-1039-A	0.35 gpm (1.3 Lpm) Multi-Lam Spray Head VR
2B.	3365091	ETF-1021-A	0.5 gpm (1.9 Lpm) Spray Head with Key (female thread)
	3365090	ETF-1022-A	2.2 gpm (8.3 Lpm) Aerator Spray Head with Key (female thread)
	3365160	ETF-1027-A	2.2 gpm (8.3 Lpm) Laminar Flow Spray Head with Key (female thread)
	0305927	ETF-435	Replacement Key Only
	3365755	ETF-1038-A	0.35 gpm (1.3 Lpm) Multi-Lam Spray Head VR
3.	0305946	EL-3500-A	Microphone-style "On-Q" Sensor Assembly includes O-ring, 18" armored Cable, Microphone Sensor Cap, Locking Pin, Microphone Sensor Body, and Emitter/Detector Shroud
3B.	0305528	EL-289	Microphone Mounting Kit
4.	0365524	ETF-199	Cock Hole Cover — OBSOLETE
5.	0305513	ETF-271	3/8" Tube Fitting Connector (female)
6.	3365676	ETF-437-A	Single Solenoid Supply Kit includes, two (2) Compression Fittings, Compression Nut, and Ferrule
7A.	0305849	ETF-370-A	24 VAC Solenoid Valve Assembly includes 18" (457 mm) armored Cable and two (2) Terminal Housings
7B.	3305577	ETF-1009-A	Solenoid Valve Repair Kit includes Replacement Filter, Guide, Armature Spring, Diaphragm and Washer
7C.	3375003	MCR-1003-A	Diaphragm only
8.	3365461	ETF-617-A	Bak-Chek® "T" Assembly
9.	3365000	ETF-450-A	Control Module Assembly includes splashproof Junction Box and Junction Box Mounting Kit
10.	0365534	ETF-233	120V/35 VA Plug-In Transformer
11.	0345370	EL-248-40	24V/40 VA Box Mount Transformer
12.	0365001	ETF-458-A	Input Power Cable (Transformer to Control Module) includes Strain Relief and two (2) Terminal Crimp Connectors
13.	0305768	EL-310-A	Spout Mounting Kit (ETF-770 Only) Includes Rubber Washer, Steel Washer, Lock Nut, Rubber Cone Washer, and Coupling Nut
14.	3365602	ETF-432-A	Optional 8" (203 mm) Centerset Trim Plate Kit, includes Seal, Washer Fender, Gasket, Finger Nut, Trim Plate Spacer and Dual Hole Trim Plate Assembly
15.	3365469	ETF-313-A	Optional 4" (102 mm) Centerset Trim Plate Kit includes Trim Plate Spacer and Dual Hole Trim Plate Assembly

See page 157 for faucet cable extension cords.




— = Not shown in illustration

NOTE: For older style ETF-66/77 faucets the replacement EL-350 is discontinued. Replacement is ETF-1019-A includes EL-3500-A and ETF-450-A.








NOTE: For the replacement control module when the older style 3 phone jack module is used, use ETF-492-A.

Sloan Faucet Spout End Devices Chart








BASYS EFX-9/EFX-10

Part No.	Code No.	Flow Rate
EFX-1002-A	3324104	0.5 gpm (1.9 Lpm)
Spray Insert Kit w/Key and Hex Key		
EFX-10001-A	3324103	1.5 gpm (5.7 Lpm)
Spray Insert Kit w/Key and Hex Key		
EFX-1000-A	3324102	1.5 gpm (5.7 Lpm)
LAM		

ETF-80/ETF-880/ETF-770 – EBF-85/EBF-187 – SF-2200/SF-2250 (THREAD SIZE 55/64"-27)

Part No.	Code No.	Flow Rate
ETF-839	0365793	0.35 gpm (1.3 Lpm)
Multi-Laminar Female Thread VR w/Key		
ETF-1021-A	3365091	0.5 gpm (1.9 Lpm)
Multi-Laminar Spray Female Thread VR w/Key		
ETF-1022-A	3365090	2.2 gpm (8.3 Lpm)
AER Female Thread VR w/Key		
ETF-1027-A	3365160	2.2 gpm (8.3 Lpm)
LAM Female Thread VR w/Key		
ETF-1028-A	3365161	1.5 gpm (5.6 Lpm)
LAM Female Thread VR w/Key		
ETF-1038-A	3365755	0.35 gpm (1.3 Lpm)
Multi-Laminar Female Thread VR w/Key		
SFP-14	0362014	2.2 gpm (8.3 Lpm)
LAM Female Thread		

ETF-600/ETF-610/ETF-660 – EBF-615/EBF-625/EBF-650/EBF-655 – ELF-10 (THREAD SIZE 15/16"-27)

EAF-10	0335008	2.2 gpm (8.3 Lpm)
AER Male Thread		
ETF-688	0365395	1.5 gpm (5.6 Lpm)
LAM Male Thread VR w/Key		
ETF-1023-A	3365092	0.5 gpm (1.9 Lpm)
Multi-Laminar Spray Male Thread VR w/Key		
ETF-1024-A	3365093	2.2 gpm (8.3 Lpm)
AER Male Thread VR w/Key		
ETF-1029-A	3365162	2.2 gpm (8.3 Lpm)
LAM Male Thread VR w/Key		
ETF-1039-A	3365756	0.35 gpm (1.3 Lpm)
Multi-Laminar Male Thread VR w/Key		
ETF-1040-A	3365757	0.35 gpm (1.3 Lpm)
Multi-Laminar Male Thread VR w/Key		

Key: LAM – Laminar
 AER – Aerated
 VR – Vandal Resistant
 JR – Junior