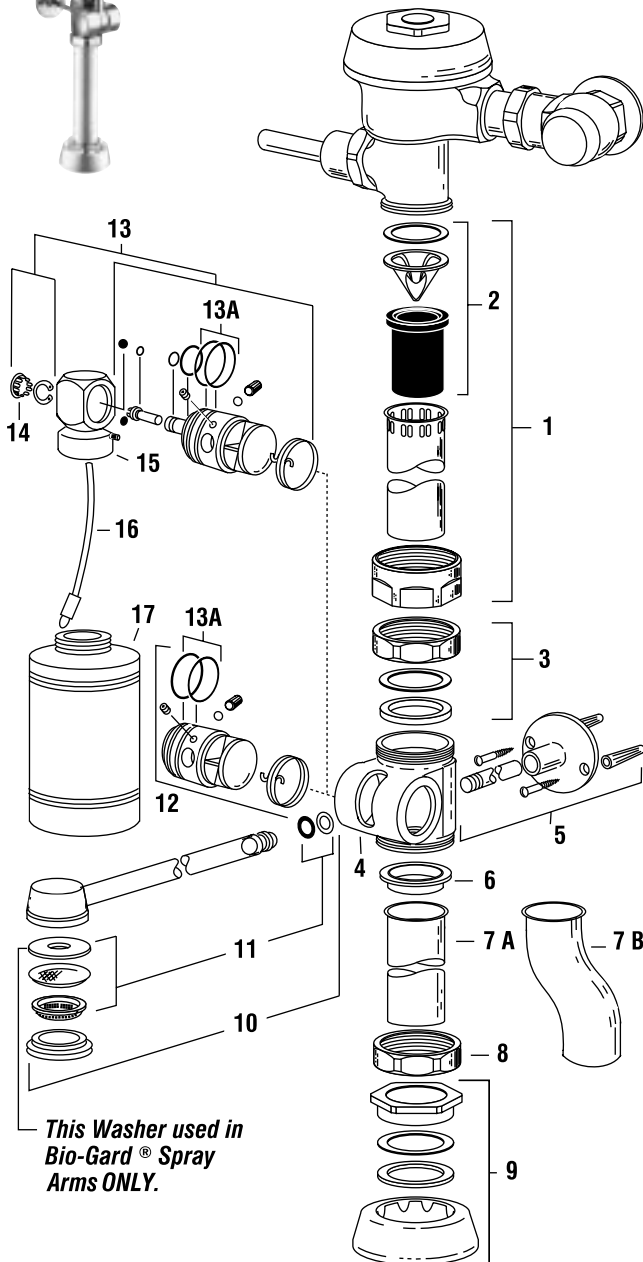


Slimline® Bedpan Washer Flushometer



See Royal® Flushometer on Page 2.1.1 for all parts kits and components



This Washer used in Bio-Gard® Spray Arms ONLY.

PARTS LIST

Item No.	Code No.	Part No.	Description
1.	0393009	V-600-AA	1-1/2" x 21-1/2" CP Vacuum Breaker
	0393008	V-600-AA	1-1/2" x 13-1/2" CP Vacuum Breaker (ADA height)
	0393029	V-600-AA	1-1/2" x 21-1/2" CP Vacuum Breaker w/2" Offset
2.	3323182	V-651-A	Vacuum Breaker Repair Kit
3.	0306093	F-2-A	1-1/2" Slip Joint Coupling
4.	0309001	DV-1	Diverter Valve Body
5.	3309035	DV-1001-A	Wall Support Kit
6.	0309027	F-1003	Outlet Tube Gasket
7A.	0309029	F-1005	Outlet Tube
7B.	0396525	F-182	Outlet Tube w/1-1/2" Offset
8.	0306045	F-2	1-1/2" Coupling Nut
9.	0306146	F-5-A	1-1/2" Spud Coupling Assembly
10.	3309044	DV-32-AA	Spray Arm Replacement Kit
	3309077	DV-1014-A	Short Spray Arm Replacement Kit (for use with F-182 Offset Outlet Tube)
11.	3309032	DV-1007-A	Spray Arm Repair Kit
12.	3309037	DV-1003-A	Pivot Replacement Kit

DEOSEPTIC UNIT PARTS

Item No.	Code No.	Part No.	Description
13.	3309036	DV-1002-A	Deoseptic Pivot Replacement Kit
13A.	5337075	DO-6	O-ring-Piston – 2 required – 6 per package
14.	0309024	DV-21	Plug Button
15.	0309033	DV-33-A	Swivel & ball check Assembly
16.	0309036	DV-36-A	Aspirator Tube Assembly
17.	0309018	DV-29	Deoseptic Solution Bottle

BEDPAN WASHER REBUILD KITS

Code No.	Part No.	Description
5309031	DV-50-A	Diverter Rebuild Kit Includes Outlet Tube Gasket (Item 6), Spray Arm Repair Kit (Item 11), and all Items in Pivot Replacement Kit (Item 12) except Pivot.
3309040	DV-1004-A	Deoseptic Diverter Rebuild Kit Includes Outlet Tube Gasket (Item 6), Spray Arm Repair Kit (Item 11), and all Items in Pivot Replacement Kit (Item 13) except Pivot.

To convert a standard diverter assembly to a deoseptic diverter assembly use:

3309048	DV-1005-A	Deoseptic Conversion Kit
----------------	-----------	--------------------------

Slimline® Bedpan Washer Flushometer

SLIMLINE® BEDPAN WASHER RETROFIT DIVERTERS

Code No.	Part No.	Description
3309022	DV-100	CP Diverter Valve Assembly
3309047	DV-105	CP Deoseptic Diverter Assembly
3309052	DV-135	CP Deoseptic Diverter Assembly 2" Offset
3309061	DV-115	CP Deoseptic Diverter Assembly ADA
3309062	DV-115-R	CP Deoseptic Diverter Assembly ADA
3309065	DV-120	CP Diverter Assembly ADA 1-1/2" Offset
3309066	DV-120-R	CP Diverter Assembly ADA 1-1/2" Offset
3309069	DV-125	CP Deoseptic Diverter Assembly ADA Offset
3309070	DV-125-R	CP Deoseptic Diverter Assembly ADA Offset
3309051	DV-130	CP Diverter Assembly 2 Offset

SLIMLINE® BEDPAN REPAIR KITS

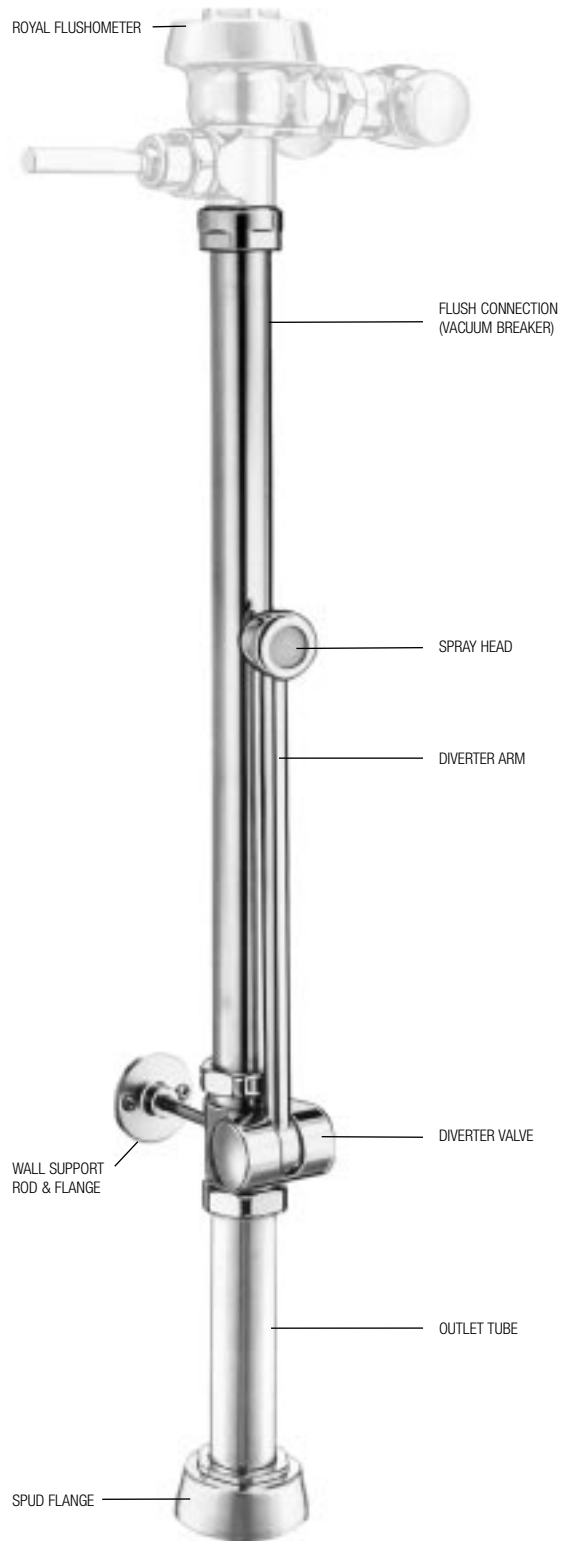
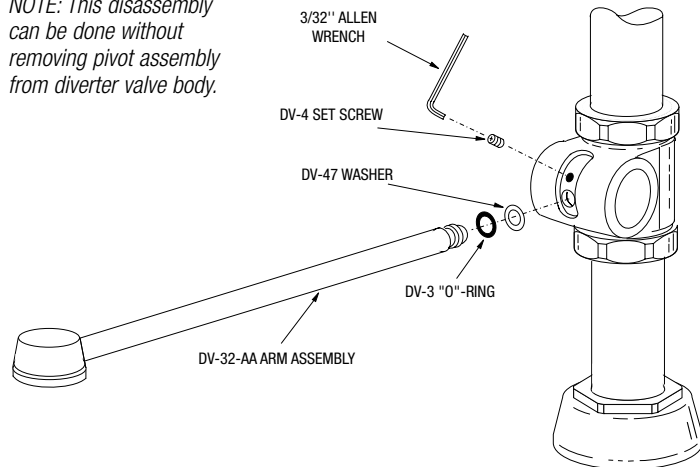
Code No.	Part No.	Description
3309035	DV-1001	Kit Bedpan Washer Wall Support
3309036	DV-1002	Repair Kit Deoseptic Pivot
3309037	DV-1003	Repair Kit Bedpan Washer Pivot
3309040	DV-1004	Repair Kit Deoseptic Diverter
3309048	DV-1005	Conversion Kit Deoseptic Diverter Assembly
3309032	DV-1007	Repair Kit Spray Arm
3309077	DV-1014	Repair Kit Short Spray Arm

REBUILDING THE SLOAN SLIMLINE DIVERTER ASSEMBLY:

To disassemble diverter valve: Loosen set screw and remove spray arm from pivot. Slide pivot out of diverter valve body.

To further disassemble deoseptic diverters: Remove plug cap and retaining ring. Slide swivel and ball check assembly off pivot shaft, exposing all internal components.

NOTE: This disassembly can be done without removing pivot assembly from diverter valve body.



Slimline® Bedpan Washer Flushometer

TROUBLESHOOTING GUIDE

See Royal Flushometer troubleshooting section for all problems regarding the Flushometer and the flushing discharge.

1. Diverter leaking at spray arm.

- A. Diverter spray arm (old style) is damaged. Replace diverter arm with new spray arm replacement kit.
NOTE: On old style diverter spray arm, the spray arm O-ring was placed on groove at the end of the spray arm. When installing new spray arm kit, place washer into bottom of hole of nozzle pivot. Then place the O-ring on top of washer. Insert new spray arm into the pivot, pressing in slightly. While holding spray arm in place, tighten set screw.
- B. Spray arm O-ring is damaged or installed improperly. Re-install O-ring as described above in step (A.). If leakage persists replace using spray arm kit DV-1007-A.

2. Diverter leaking at nozzle pivot.

- A. One or both pivot O-rings are worn. Replace nozzle pivot assembly. Use pivot replacement kit.
- B. Diverter seal washer worn or missing. Replace pivot seals. Use diverter rebuild kit.
- C. Nozzle pivot damaged or defective. Replace nozzle pivot assembly. Use pivot replacement kit.

3. Erratic spray pattern from spray arm nozzle.

- A. Debris clogging nozzle screen. Wash nozzle screen under running water.
- B. Damaged or missing nozzle screen or spray disc. Replace using DV-1007-A spray arm replacement kit.

4. Deoseptic solution not siphoning from bottle during flush cycle (deoseptic models only).

- A. Adjusting screw not open. Open adjusting screw until adequate amount of solution is siphoned from bottle during flush cycle.
- B. Aspirator tube screen clogged. Remove solution bottle. Remove aspirator tube from swivel & ball check assembly and wash screen under running water.
- C. Aspirator tube not installed completely onto swivel & ball check assembly. Remove solution bottle. Make sure aspirator tube is pushed completely onto nipple of swivel & ball check assembly.
- D. Aspirator tube cracked. Replace aspirator tube assembly.
- E. Rubber ball check stuck inside swivel & ball check assembly. Remove solution bottle and aspirator tube from swivel & ball check assembly. Gently insert small implement (paper clip, small dia. hex key, etc.) into nipple of swivel & ball check assembly to dislodge rubber ball check. Stop pushing once water starts to trickle from nipple.
NOTE: If ball is pushed too hard or too far it may fall out of seat. Should this occur, the swivel & ball check assembly must be removed and ball replaced. To do this, remove retaining ring using retaining clip pliers. Pull swivel & ball check assembly off of adjusting screw being careful not to drop rubber ball check. Place rubber ball back into seat of swivel & ball check assembly and reassemble. If ball and seals appear worn rebuild.

5. Water leaking back into solution bottle.

- A. Rubber ball damaged or missing. Replace rubber ball using DV-1004-A deoseptic diverter rebuild kit.
- B. Rubber ball not sitting in seat of swivel & ball check assembly. Remove swivel & ball check assembly taking care not to lose rubber ball. Insert rubber ball back into seat of swivel & ball check assembly and reassemble.
NOTE: Follow steps in solution (E.) of problem 4.

CARE AND CLEANING INSTRUCTIONS

DO NOT use abrasive or chemical cleaners to clean Flushometers as they may dull the luster and attack the chrome or special decorative finishes. Use ONLY mild soap and water, then wipe dry with clean cloth or towel. While cleaning the bathroom tile, the Flushometer should be protected from any splattering of cleaner. Acids and cleaning fluids can discolor or remove chrome plating.