



The IRP-2 is a portable printer using thermal paper that links to other U Ei products using an infrared link. It incorporates an 'easy load' paper facility and allows NiMh batteries to be recharged in situ.

## OPERATING THE PRINTER

### BUTTON LAYOUT AND FUNCTIONS

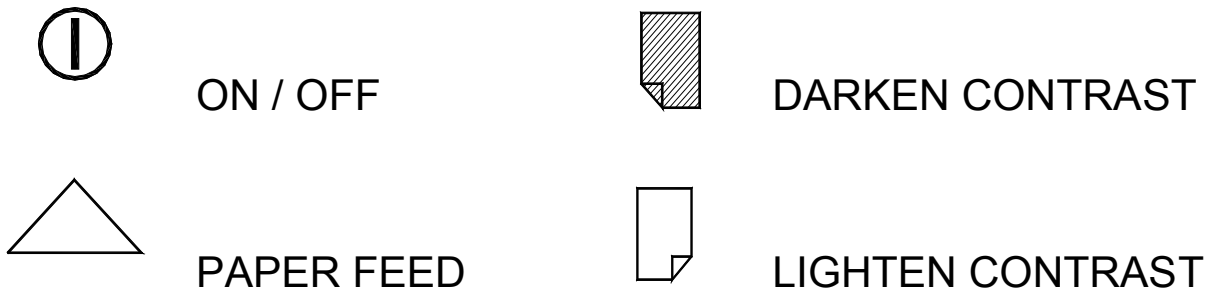


Fig 1:

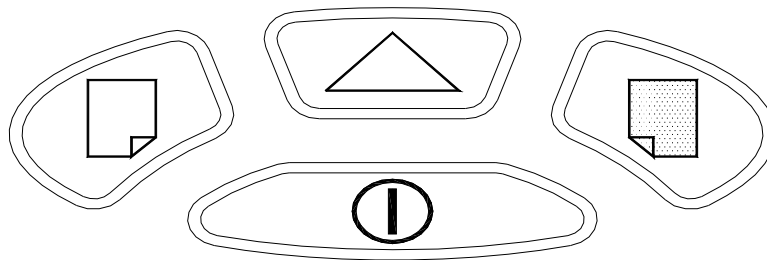
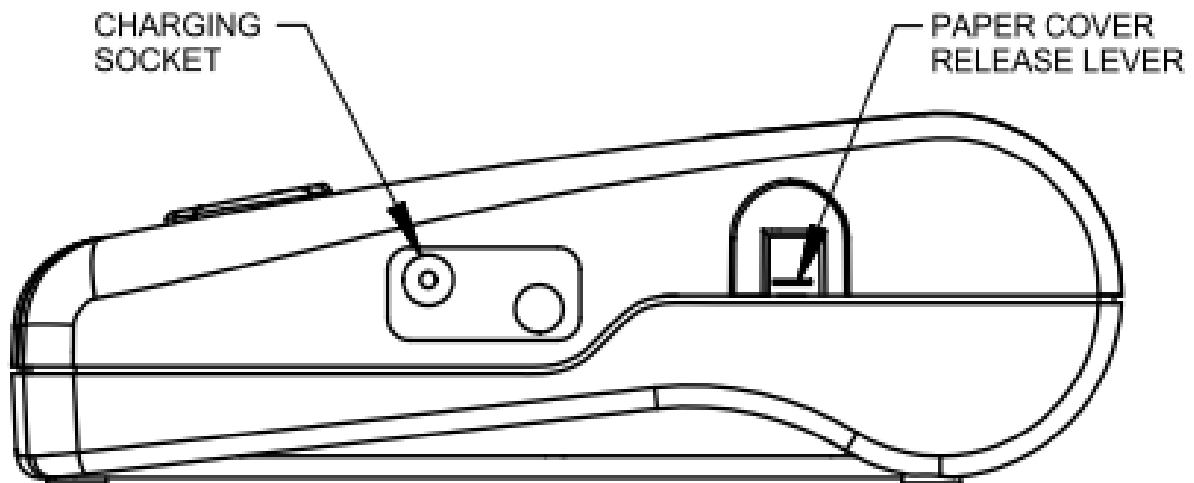


Fig 2:



## POWER SUPPLY

Power is supplied to the printer in the form of four AA Ni-MH batteries, which can be re-charged by connecting a AACA4 charger to the IRP -2. Fig 2

**Note:** The AACA4 cannot supply the full power requirement to the IRP -2, the batteries must contain some charge before printing will be possible.



**WARNING:** Do NOT attempt to recharge non-rechargeable batteries as this can lead to batteries leaking and over-heating.



**WARNING:** Do NOT use Alkaline AA batteries.

## USING THE IRP-2

Switch the printer on using the power ON/OFF key as shown in fig 1, the status indicator will become illuminated (RED LIGHT).

**Note:** The printer will automatically switch off after around 10 minutes of inactivity. To reactivate, simply press the ON/OFF key. If the battery power falls to low, the current print will be suspended and the status indicator (RED light) will flash 4 times, connect the power supply/charger to continue printing.

## POSITIONING THE PRINTER AND INSTRUMENT

Ensure that there are no obstructions between the instrument emitter (at the top of the instrument) and the IRP -2 receiver (By the status indicator).

Angle=0°	Distance<=4.5m
Angle=45°	Undefined (Horizontal)
Angle=90°	Undefined (Vertical)

## ADDITIONAL INFORMATION

### SELF TEST

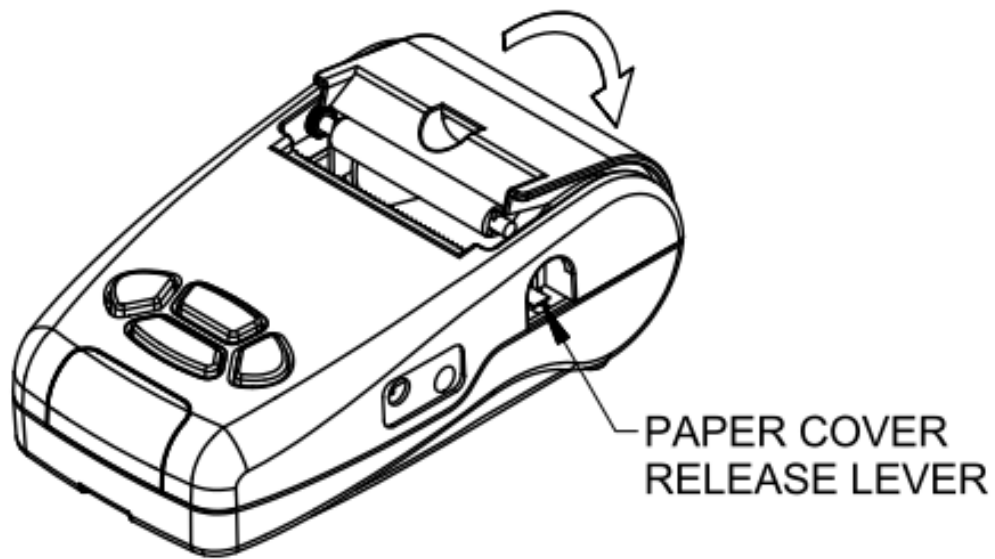
Power off the IRP -2, hold down the PAPER FEED key and press POWER ON/OFF key, the output will be all the letters including the Latin format

### PRINT CONTRAST

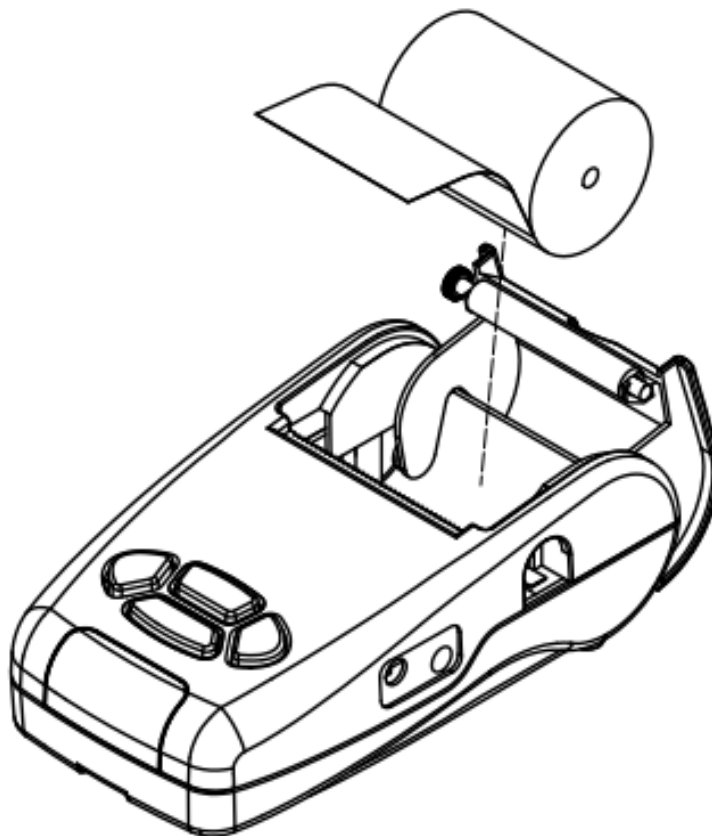
The contrast of the IRP-2 output can be adjusted both lighter and darker by pressing the designated keys shown in fig 1.

## REPLACING THE PAPER ROLL

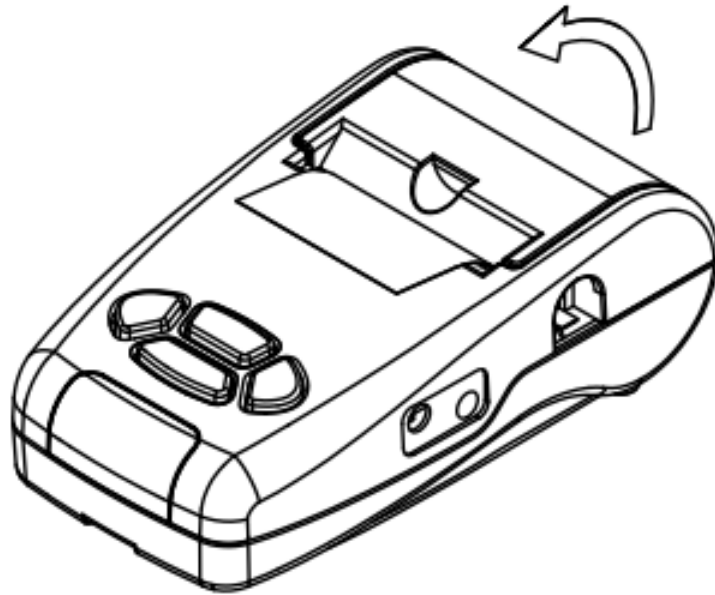
To replace the paper roll in the IRP-2, release the paper cover by pressing down the release lever.



Remove the old paper roll core and insert the new roll so that it sits as follows :-



Lay the free end of paper over the printer head, past the serrated paper cutter onto the body of the front of the printer's case. Now close the paper cover and gently press down until it locks into place. Start the paper feed sequence to confirm that the paper has been correctly loaded. Tear off the excess paper by pulling it against the paper cutter.



**WARNING.** Never pull the paper through the printer always use “paper feed”.

Note: if the ‘paper out’ warning light is still flashing (see below) switch the printer off and then on again.

## **STATUS INDICATOR (RED LIGHT)**

### **PAPER OUT**

The IRP-2 will automatically detect when the paper has run out, the STATUS INDICATOR will repeatedly flash.

### **LOW BATTERY**

Low battery is indicated by the STATUS INDICATOR flashing three times. Connect the AACA4 to the charging socket shown in Fig 2.

### **HEAD THERMAL LIMIT**

In the event of extensive printing periods the temperature of the thermal head of the IRP-2 may rise to an unusable level, if this occurs the STATUS INDICATOR will flash twice and printing will be suspended until the temperature falls to an acceptable level.

## CONTROLLING THE PRINT HEAD

If you turn the printer off whilst printing, the print head may stop in the middle of the line. To return the print head to the left side of the paper, turn the printer on, then off.

## MISSING OR MISFORMED CHARACTERS

The character will show on the print out if the printer has detected incorrect data due to interference with, or interruption to, the stream of incoming information.

Common causes for this error include incorrect positioning of printer with reference to the instrument (this can either be due to the distance or the angle of operation), obstruction of the infrared signal or even interference from another infrared emitting source.

## ENVIRONMENTAL LIMITS

The IRP-2 is designed for indoor use only.

Operating temperature:	32°F to 104°F (0°C to 40°C)
Storage temperature:	-4°F to 140°F (-20°C to 60°C)
Humidity:	5% to 95% relative at 104°F (40°C) non condensing

## BATTERIES

This product is designed for only rechargeable NiMh AA batteries. Four batteries are needed. Types cannot be mixed.



**WARNING:** Do NOT attempt to recharge non-rechargeable batteries as this can lead to batteries leaking and over-heating.



**WARNING:** Do NOT use Alkaline AA batteries

The battery charger supplied with the product is rated for indoor use only. Its voltage input must be in the range 100 – 240 V ac at 50 – 60 Hz with a current capability of 0.3 A. The charger's output voltage is 9 V dc at a maximum of 0.66 A.

The charger has no user serviceable components.

Only a correctly specified and rated charger must be used with the product. part number is AACA4.

## **CLEANING**

The outer case and protective boot (if applicable) can be cleaned using a damp cloth and non abrasive detergent. After cleaning leave the product in a warm dry place until the surfaces are completely dry. Under no circumstance use solvent or hydrocarbon based products as they can cause serious damage to plastic and rubber.

## **SERVICING**

This product contains no user serviceable parts.

## **SAFETY**

This product has been tested for compliance with **EN 61010-1:2010** (Safety requirements for electrical equipment for measurement, control and laboratory use.) and is certified to be compliant.

## **END OF LIFE PRODUCT DISPOSAL**

At the end of the product's life it should be re-cycled in accordance with current legislation and local guidelines.

## **BATTERY DISPOSAL**

Always dispose of depleted batteries using approved disposal methods that protect the environment.

# ELECTROMAGNETIC COMPATIBILITY

European Council Directive 89/336/EEC requires electronic equipment not to generate electromagnetic disturbances exceeding defined levels and have adequate immunity levels for normal operation. Specific standards applicable to this printer are stated below.

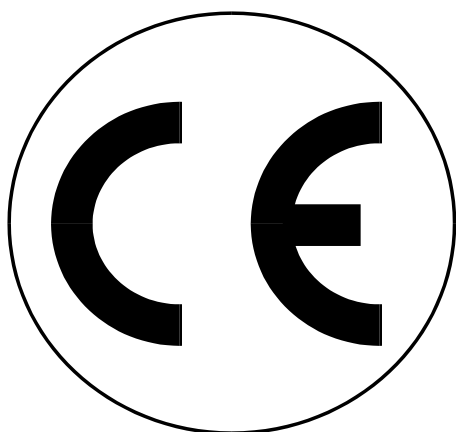
As there are electrical products in use pre-dating this Directive, they may emit excess electromagnetic radiation levels and, occasionally, it may be appropriate to check the printer before use by:

Use the normal start up sequence in the location where the printer will be used.  
Switch on all localized electrical equipment capable of causing interference.

Check all readings are as expected. A level of disturbance is acceptable.

If not acceptable, adjust the printer's position to minimize interference or switch off, if possible, the offending equipment during your test.

At the time of writing this manual (May 2016) UEi Test Instruments is not aware of any field based situation where such interference has occurred and this advice is only given to satisfy the requirements of the Directive.



This product has been tested for compliance with the following generic standards:

EN 61000-6-3 : 2011

EN 61000-6-1 : 2007

and is certified to be compliant

Specification EC/EMC/KI/KANE IRP-2/1 details the specific test configuration, performance and conditions of use.

## Please Note:

Batteries used in this instrument should be disposed of in accordance with current legislation and local guidelines.

At the end of the product's life it should be re-cycled in accordance with current legislation and local guidelines.

**www.ueitest.com**  
**Email: info@ueitest.com**  
**1-800-547-5740**