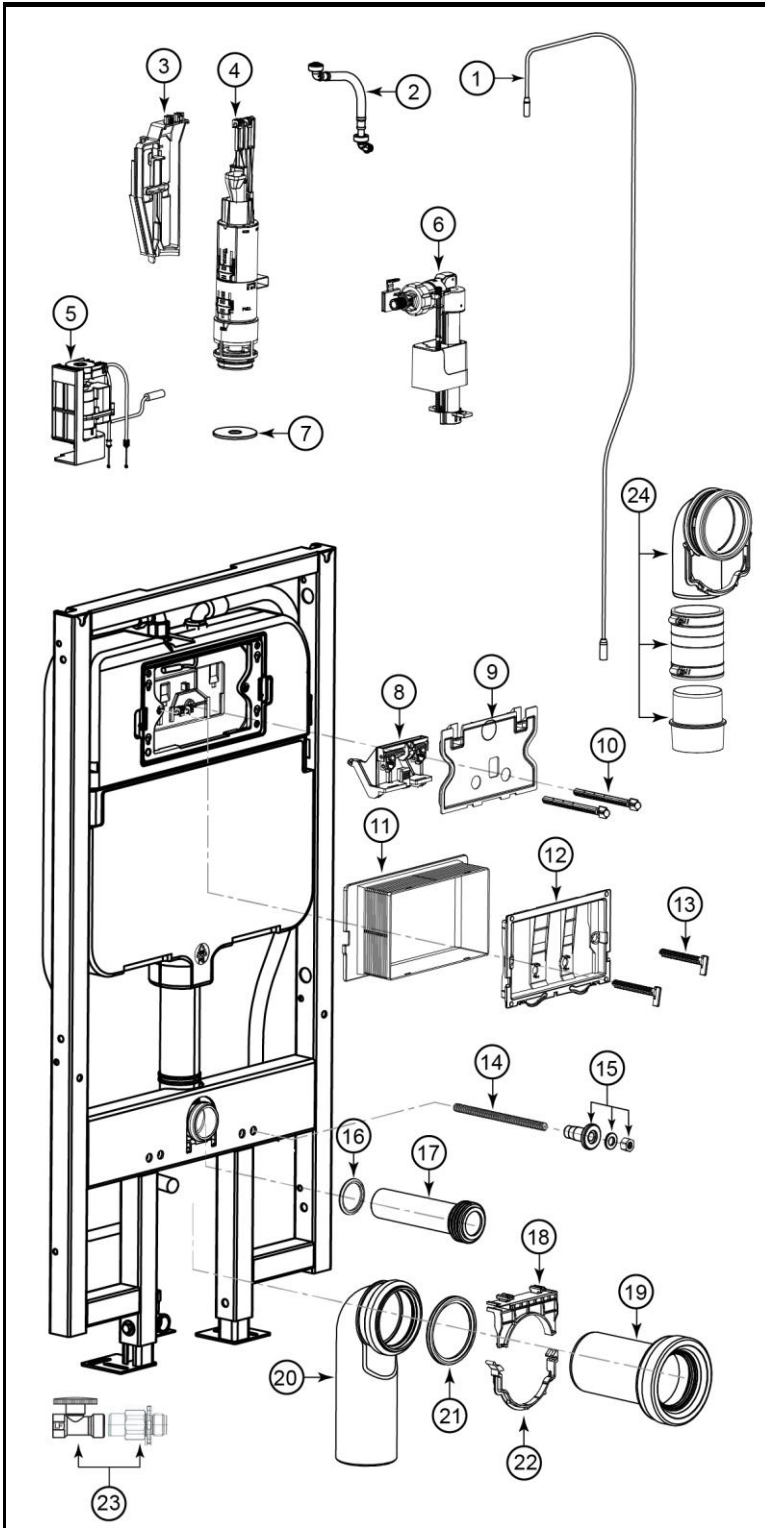


**DuoFit In Wall Tank System
For 2x6 & 2x4 Wall Stud Installation
1.28 Gpf/4.8 Lpf & 0.9 Gpf/3.4Lpf
Adjustable Height 15" - 19" (includes Auto Flush)**



Actual Product may vary slightly from illustration.

Item	Part	Description
1	THU798-A	Power Cable for Auto Flush
2	THU479-A	Flexible Hose
3	THU549	Hold-Down Bracket for Flush Valve
4	THU753-A	Flush Valve
5	THU478-A	Auto Flush Unit
6	TSU46A	Fill Valve
7	THU482	Seal Gasket (1piece)
8	THU480-A	Actuator
9	THU608	Push Rod
10	THU608	Push Rod (2 pieces)
11	THU509-A	Push Plate Rough in
12	THU656-A	Panel Receiver for Push Plate
13	THU607	Locking Tab (2 pieces)
14	THU658-A	Threaded Rod (2 pieces)
15	THU649-A	Toilet Mounting set (2 sets)
16	THU606	Gasket for Elbow Inlet Pipe (5 pieces)
17	THU489-A	Toilet Inlet Pipe
18	THU548	Upper Bracket
19	THU484-A	Toilet Flange Pipe
20	THU490-A	Elbow Outlet Pipe
21	THU561	Gasket for Elbow Outlet Pipe (5 pieces)
22	THU560	Lower Bracket
23	THU794 THU805	Washlet Connection Kit for WT173MA Washlet Connection Kit for WT173M
24	THU343	2x4 Outlet Drain Kit

Note:

Product Number Explanations

(WT) InWall Tank
(173) Model number
(M) Dual Flush
(A) Auto Flush