

**MICROPlumb®  
PRODUCTS  
Retrofit  
Flushometer  
Assemblies**

**MCR 271  
3.5-MOD64**



- ▶ **Description**  
Concealed electronic-operated water closet Flushometer for retrofit of manual, handle-operated Flushometer.
- ▶ **Model Number/Flush Cycle**  
Model MCR 271-MOD64 Water Saver (3.5 gpf/13.2 Lpf)
- ▶ **Specifications**
  - Concealed electronic operated, diaphragm type, rough brass closet Flushometer
  - 24 VAC 50/60 Hz solenoid operator
  - 15' cord w/RJ-11 connection
  - Solenoid operator is reversible (can be located right or left of water supply)
  - Dual filtered Permex® bypass diaphragm
  - V-651-A Vacuum Breaker repair kit
  - S-21 Gasket
- ▶ **Variations**


---

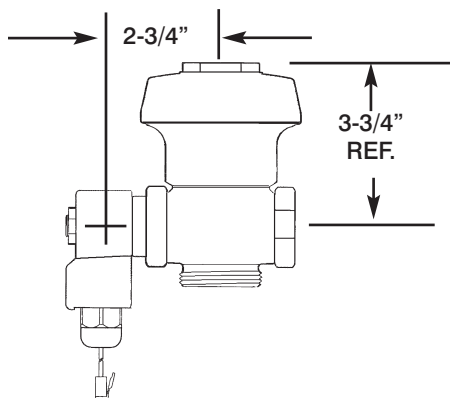
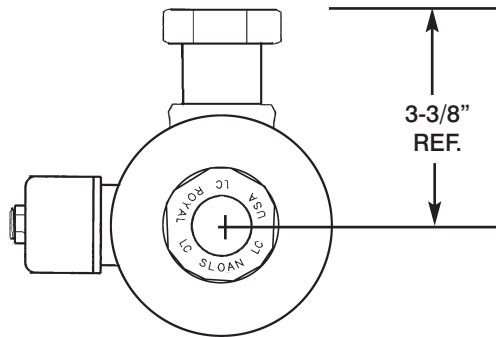
  - AG** Ground Joint Connection

---

  - LH** Left Hand

---

  - RH** Right Hand



This space for Architect/Engineer approval

The information contained in this document is subject to change without notice.



10500 Seymour Avenue • Franklin Park, Illinois 60131-1259  
Phone 800-671-6970 • Fax 847-671-6944