

**MICROPlumb®
PRODUCTS
Retrofit
Flushometer
Assemblies**

**MCR 274
4.5-MODAG**



► **Description**

Concealed electronic operated water closet Flushometer for retrofit of manual, handle-operated Flushometer.

► **Model Number/Flush Cycle**

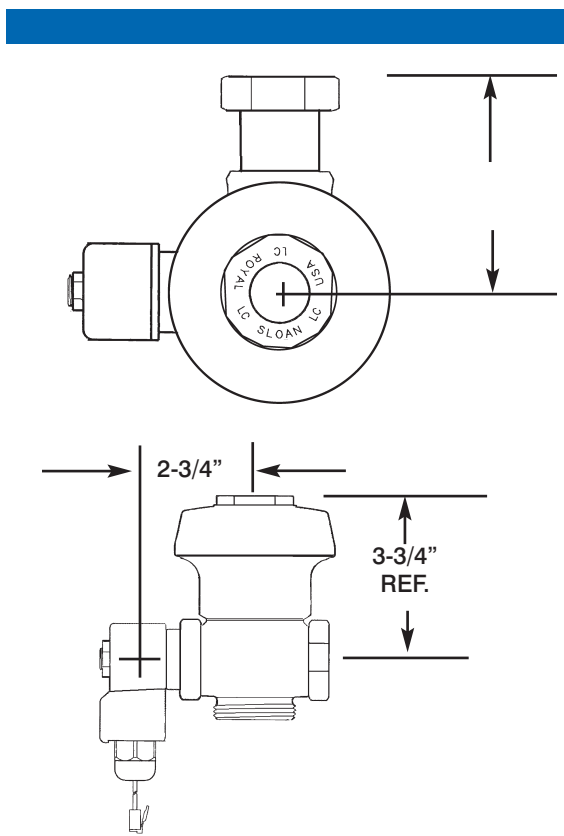
Model MCR-274-4.5-MOD64 Water Saver (4.5 gpf/17.0 Lpf)

► **Specifications**

- Concealed electronic operated, diaphragm type, rough brass closet Flushometer
- 24 VAC 50/60 Hz solenoid operator
- 15' cord w/RJ-11 connection
- Solenoid operator is reversible (can be located right or left of water supply)
- Dual filtered Permex® bypass diaphragm
- V-651-A Vac. Breaker repair kit
- S-21 Gasket

► **Variations**

- AG** Ground Joint Connection
- LH** Left Hand
- RH** Right Hand



This space for Architect/Engineer approval

The information contained in this document is subject to change without notice.

