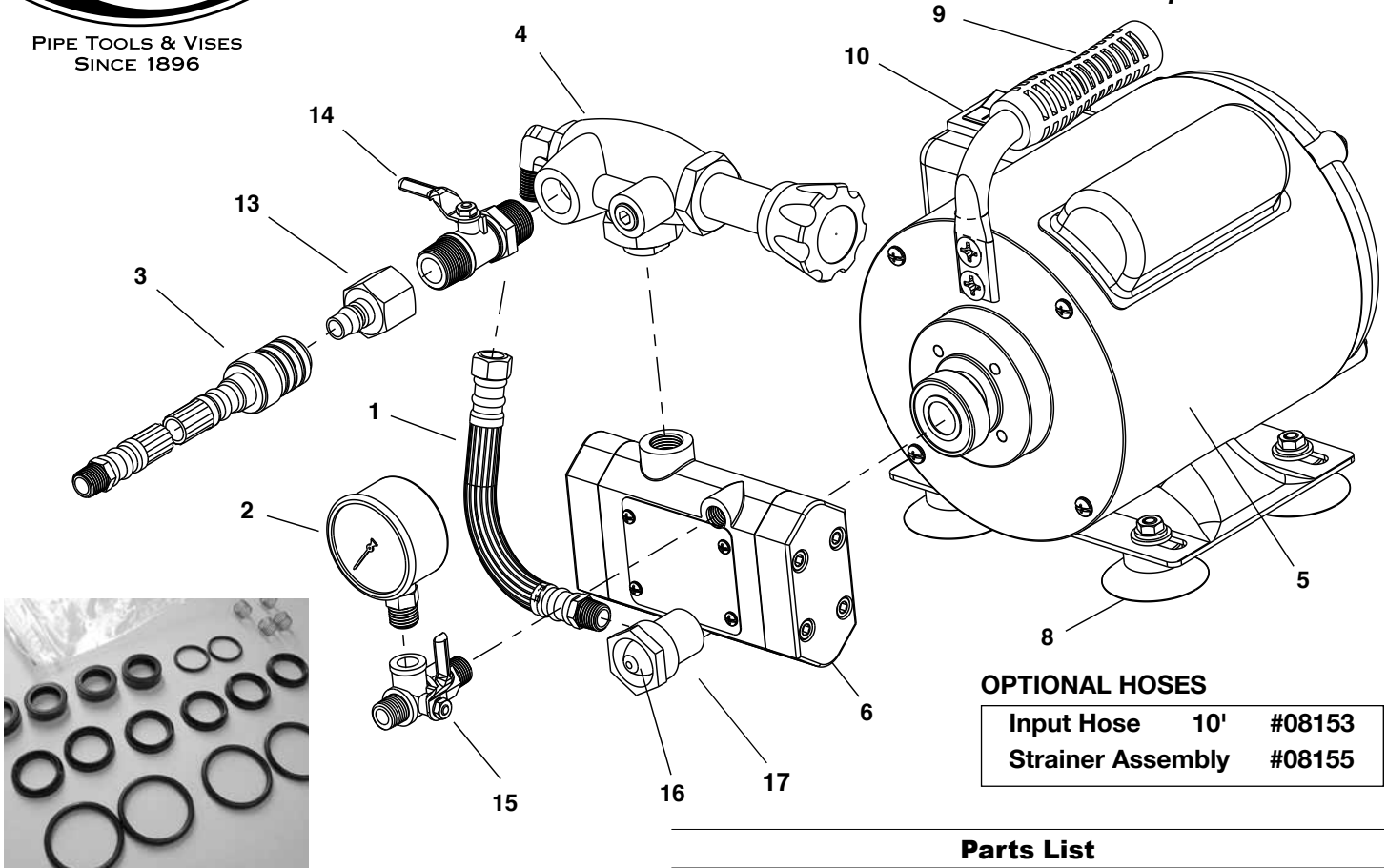




PIPE TOOLS & VISES
SINCE 1896

Electric Hydrostatic Test Pumps

Replacement Parts



OPTIONAL HOSES

Input Hose	10'	#08153
Strainer Assembly		#08155

Parts List

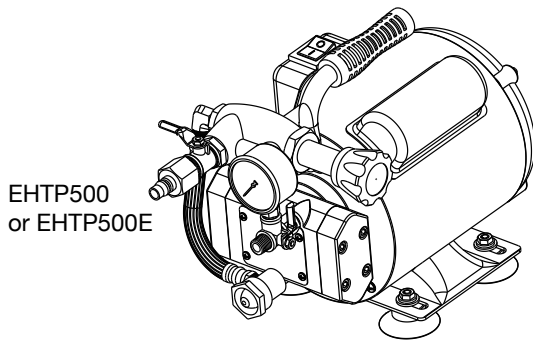
ITEM	DESCRIPTION	EHTP500	EHTP500C	QTY.
		EHTP500E	EHTP500CE	
1	BYPASS HOSE	48183	48183	1
2	PRESSURE GAUGE	48185	48185	1
3	HIGH PRESSURE OUTPUT HOSE	08172	08172	1
4	REGULATOR ASSEMBLY	48189	48189	1
5a*	MOTOR ASSEMBLY 110V.	48187	48187	1
5b*	MOTOR ASSEMBLY 220V.	48196	48196	**
6	PUMP ASSEMBLY	48188	48188	1
7	SEAL KIT	48181	48181	1
8	PUMP FEET	48190	—	4
9	CARRYING HANDLE	48191	—	1
10	ELECTRIC SWITCH / COVER	48193	48193	1
11	CAGE FEET	—	48186	4
12	CAGE WITH FEET	—	48195	1
13	MALE QUICK CONNECT	48200	48200	1
14	HIGH PRESSURE VALVE	48201	48201	1
15	3-WAY VALVE	48202	48202	1
16***	HOSE WASHER W/SCREEN	98180	98180	1
17	INTAKE HOSE FITTING	48204	48204	1

* Motor Assembly also includes #8, #9 and #10.

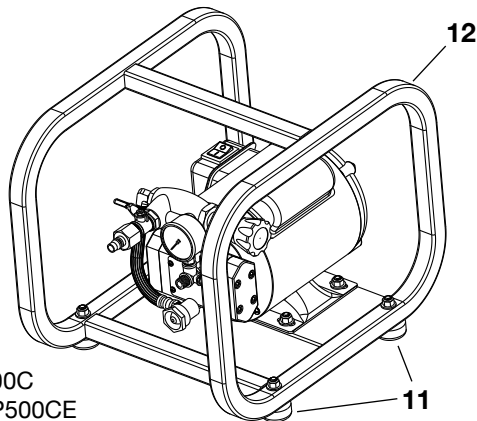
** Choose the proper voltage.

*** Sold in packs of 3 screens / priced per pack.

7



EHTP500
or EHTP500E



EHTP500C
or EHTP500CE

Reed Manufacturing Company
1425 West 8th Street
Erie, PA 16502 USA



Phone: 800-666-3691 or 814-452-3691
Fax: 800-456-1697 or 814-455-1697
www.reedmfgco.com

RP-0320-99
See Also 58170

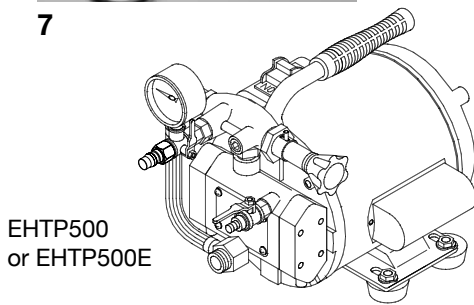
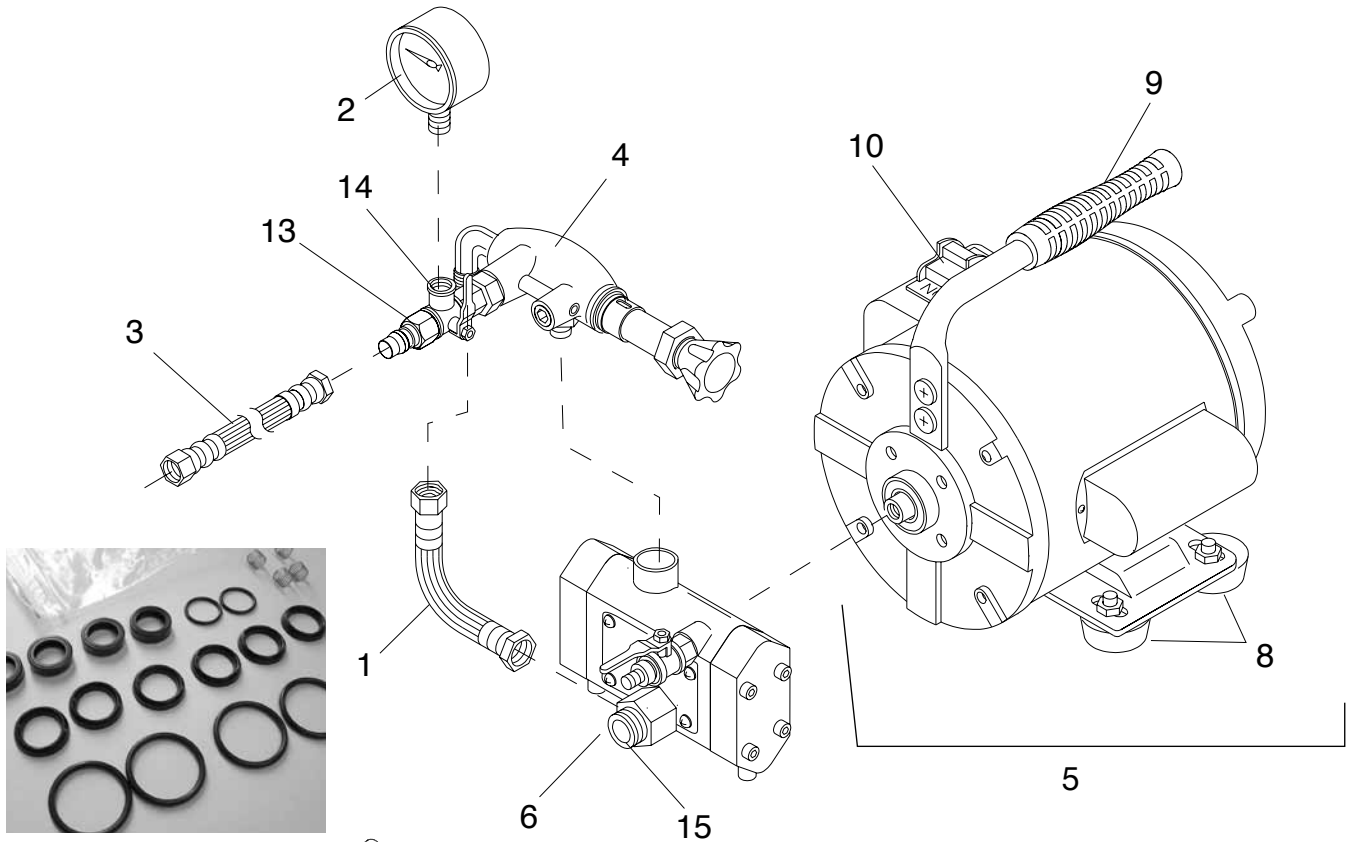


PIPE TOOLS & VISES
SINCE 1896

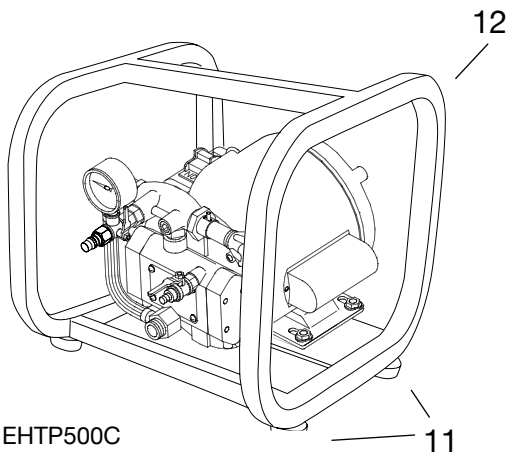
Electric Hydrostatic Test Pumps

Replacement Parts

Diagram for models sold before July 2013.



EHTP500
or EHTP500E



EHTP500C
or EHTP500CE

Parts List

ITEM	DESCRIPTION	EHTP500	EHTP500C	QTY.
		EHTP500E	EHTP500CE	
1	BYPASS HOSE	48183	48183	1
2	PRESSURE GAUGE	48185	48185	1
3	HIGH PRESSURE OUTPUT HOSE	08172	08172	1
4	REGULATOR ASSEMBLY	48189	48189	1
5a*	MOTOR ASSEMBLY 110V.	48187	48187	1
5b*	MOTOR ASSEMBLY 220V.	48196	48196	**
6	PUMP ASSEMBLY	48188	48188	1
7	SEAL KIT	48181	48181	1
8	PUMP FEET	48190	—	4
9	CARRYING HANDLE	48191	—	1
10	ELECTRIC SWITCH / COVER	48193	48193	1
11	CAGE FEET	—	48186	4
12	CAGE WITH FEET	—	48195	1
13	MALE QUICK CONNECT	48197	48197	1
14	3-WAY VALVE	48202	48202	1
15***	HOSE WASHER W/SCREEN	98180	98180	1

* Motor Assembly also includes #8, #9 and #10.

** Choose the proper voltage.

*** Sold in packs of 3 screens / priced per pack.