

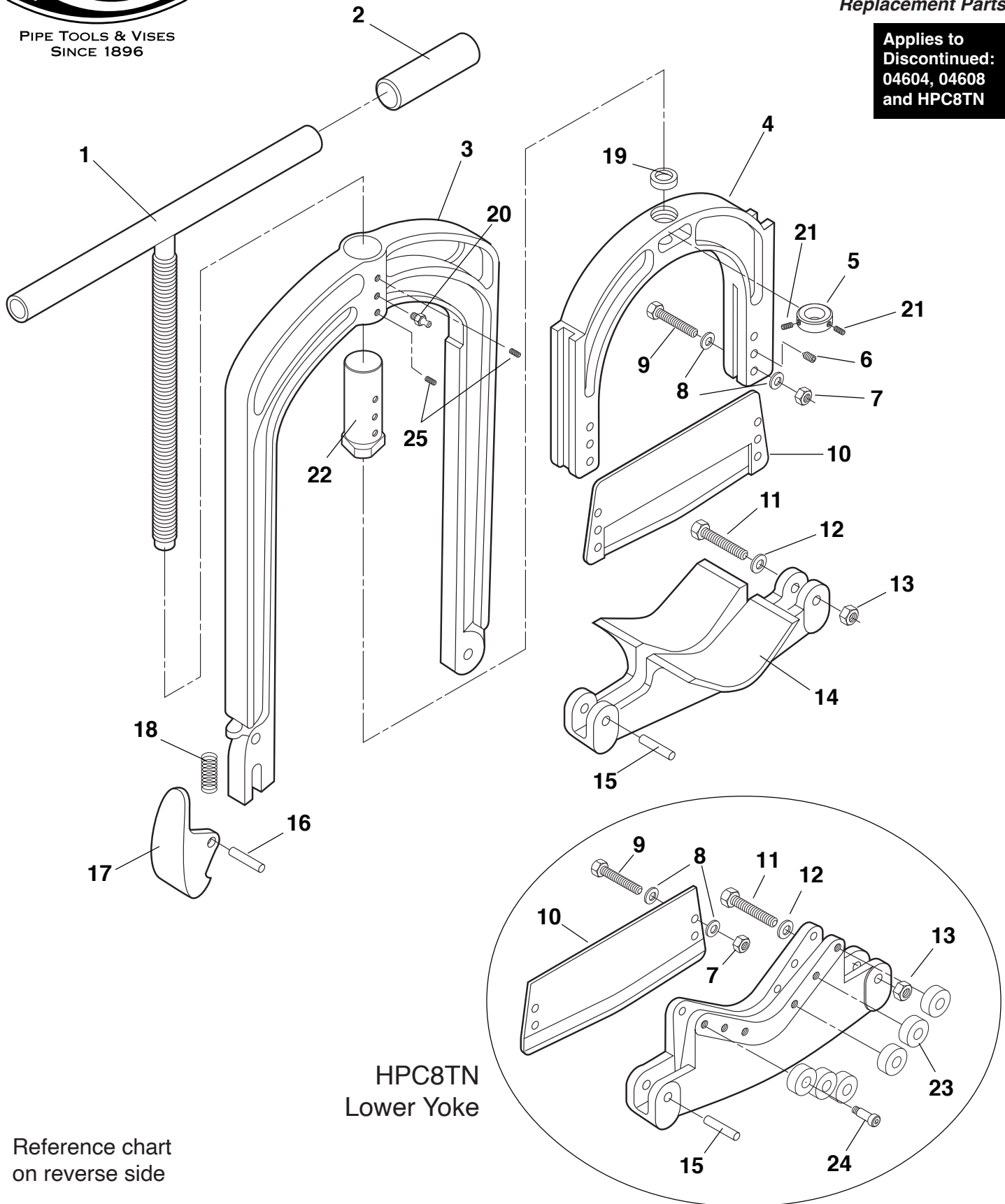


PIPE TOOLS & VISES
SINCE 1896

Guillotine Pipe Cutters (HPC4, HPC8 & HPC8TN)

Replacement Parts

Applies to
Discontinued:
04604, 04608
and HPC8TN



HPC8TN
Lower Yoke

Reference chart
on reverse side

Reed Manufacturing
1425 West 8th Street
Erie, PA 16502 USA



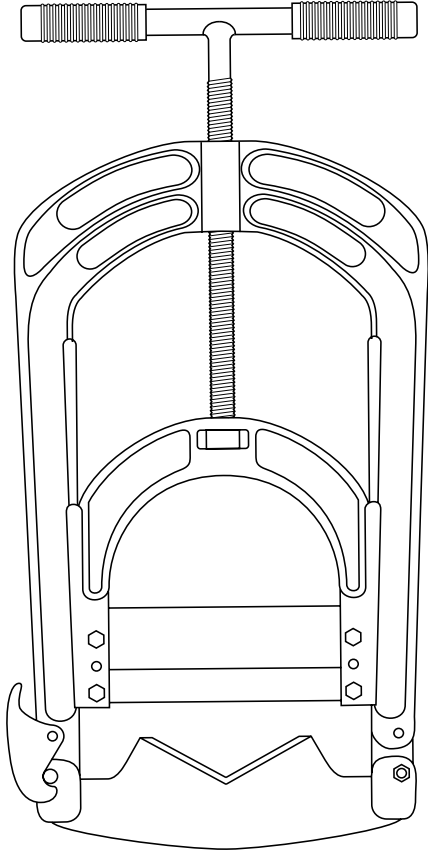
Phone: 800-666-3691 or 814-452-3691
reedsales@reedmfgco.com
www.reedmfgco.com



PIPE TOOLS & VISES
SINCE 1896

Guillotine Pipe Cutters (HPC4, HPC8 & HPC8TN)

Replacement Parts



Parts List

Item No.	Description	HPC4* Part No.	HPC8* Part No.	HPC8TN* Part No.	Qty.
1	Feed Screw Assembly	94113	94005	94005	1
2	Black Handle Grip	40070	40095	40095	2
3	Upper Yoke	94120	94012	94012	1
4	Crosshead	94129	—	—	1
5	Collar	40328	94144	94144	1
6	Blade Set Screw	30178	30173	N/A	2
7	Hex Nut	30123	30176	30176	4
8	Lock Washer	30177	30175	30175	8
9	Blade Screw	94126	94132	94132	4
10	Blade	40329	40027	94137	1
11	Lower Yoke Cap Screw	94133	40031	40031	1
12	Steel Washer	30180	30011	30011	1
13	Flexioc Nut	30179	30143	30143	1
14	Lower Yoke	94116	94002	94135	1
15	Lower Yoke Pin	94123	94007	94007	1
16	Latch Pin	94124	94011	94011	1
17	Latch	93115	93117	93117	1
18	Latch Spring	40046	40030	40030	1
19	Thrust Washer	98057	94145	94145	1
20	Grease Fitting	40338	40338	40338	1
21	Collar Set Screw	N/A	40090	40090	2
22	Internal Nut	94603	94140	94140	1
23	Roller	N/A	N/A	94025	12
24	Shoulder Screw	N/A	N/A	30194	12
25	Set Screw	30019	30019	30019	2
26	Blade Guard**	40348	40349	N/A	1

**not shown

*discontinued