

DESCRIPTION

Complete vitreous china urinal.

Flush Cycle

Model SU-1012-0.25 (0.25 gpf/0.9 Lpf)



SPECIFICATIONS

Urinal

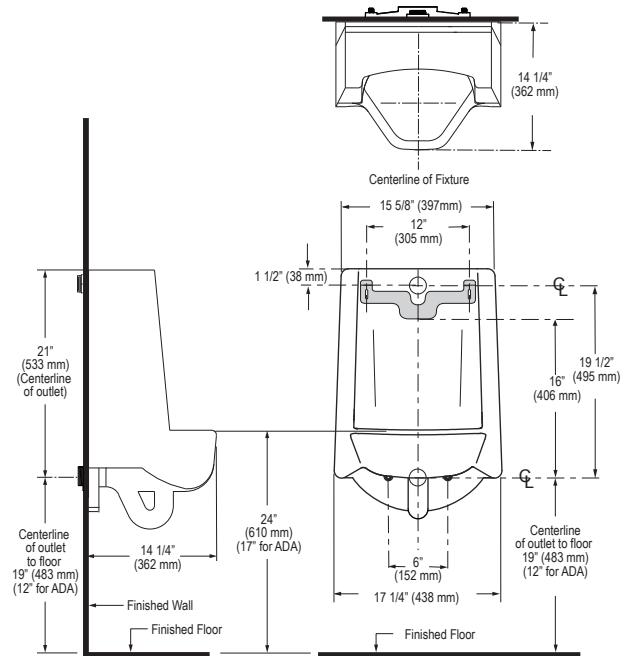
- Vitreous china
- Wall mounted
- Washdown flushing action
- 3/4" rear spud inlet
- 100% factory flush tested
- Integral flushing rim
- All mounting hardware included
- Carrier not included

Colors/Finishes

- White

Recommended Accessories

- Compatible with Jay R. Smith Carrier: 0636 & 0637



Product Specification

Washdown Urinal shall be made of vitreous china with a 3/4" rear spud. Urinal shall be wall mounted. Urinal shall use 0.25 gpf / 0.9 Lpf. Urinal shall include a removable strainer, inlet spud and hanger. Urinal shall be Sloan Model SU-1012-0.25.



Listed by I.A.P.M.O.



Sloan Valve Company is buying renewable energy certificates to meet 100% of the company's purchased electricity use at its Franklin Park, Illinois facility.

NOTE: Plumbing System Requirements
√ Minimum **Flowing** Pressure: 25 PSI

This space for Architect/Engineer approval

Job Name	Date
Model Specified	Quantity
Variations Specified	
Customer/Wholesaler	
Contractor	
Architect	

SLOAN®

Sloan Valve Company
10500 Seymour Avenue,
Franklin Park, IL 60131
Phone: 1-800-9-VALVE-9 (982-5839)
or 1-847-671-4300
Fax: 1-800-447-8329 or 1-847-671-4380
www.sloanvalve.com

Copyright © 2010 Sloan Valve Company
01/10 Rev. 0a