

CODE NUMBER

20201201

DESCRIPTION

ST-2029 Water Closet and SOLIS 8111 Flushometer.

COMPONENTS

- Flushometer: Code 3370002
- Water Closet: Code 2102029

DETAILS

- Flush Volume: 1.28 gpf (4.8 Lpf)
- Nominal Dimensions: 26 ¾" x 14" x 17" (679 x 356 x 432mm)

FIXTURE FEATURES

- White Vitreous China
- Elongated bowl
- Floor mounted, floor outlet
- Siphon jet flushing action achieves 1000g Map score when used with any Sloan flushometer
- Water spot area: 10 ⅞" x 9 ⅜" (26 cm x 24 cm)
- 1 ½" I.P.S. top spud inlet
- 2 ⅞" fully glazed trapway
- Closet bolts and caps included
- Toilet seat not included
- Static load rating of 1000 lbs. (See Notes)



COMPLIANCES & CERTIFICATIONS



(BREEAM Materials Credit, BREEAM Water Credit, Carbon Neutral, EPD, Green Globes Materials & Resources Credit, BAA Compliant, Green Globes Water Credit, HPD, LEED Materials & Resources EPD Credit, LEED Materials & Resources HPD Credit, LEED V4 Water Efficiency Credit, Satisfies LEED Credits, WaterSense Listed, ADA Compliant, WELL Building Standard)

DOWNLOADS

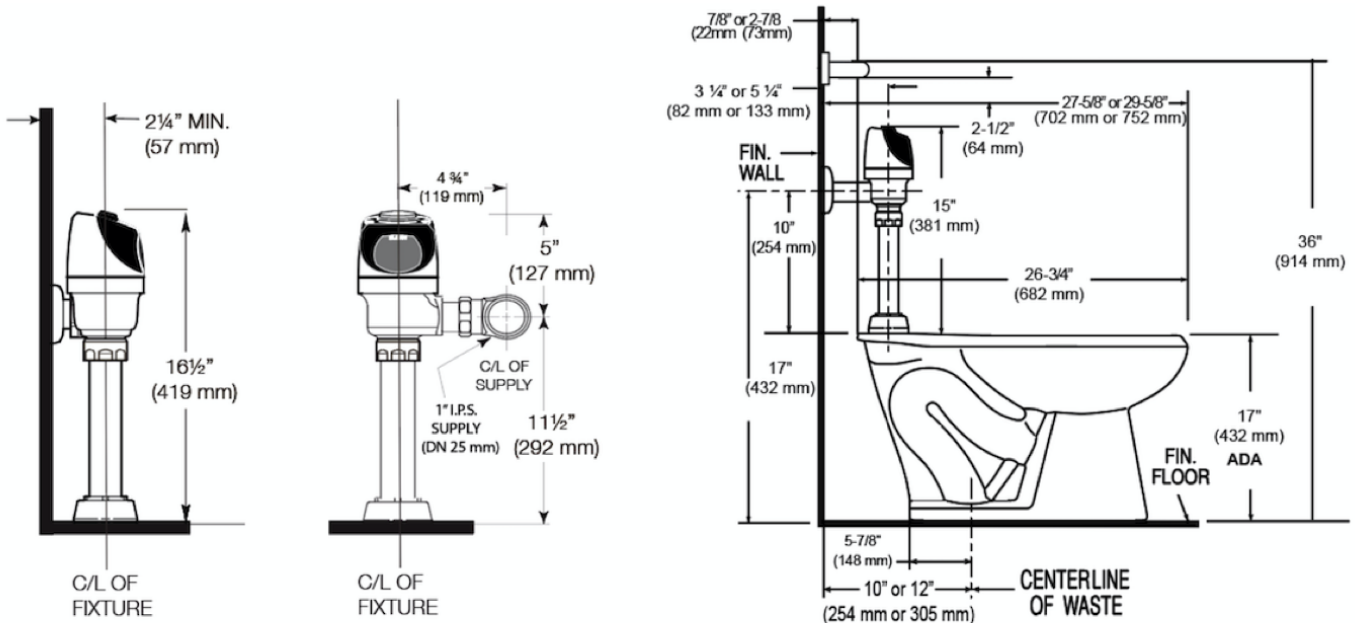
- [SS/ST/SU/WETS/WEUS Fixtures Repair and Maintenance Guide](#)
- [Additional Downloads](#)

NOTES

All information contained within this document subject to change without notice.

Static load tested according to the procedure outlined in Section 6.7 of ASME A112.19.2. Not recommended for bariatric use.

ROUGH-IN



Alternate ADA Installation

Lower water supply rough-in to 10" (254 mm) and mount grab bar at the 36" (914 mm) maximum allowed height.

When installing the Sloan SOLIS[®] in a handicap stall:
Per the ADA Guidelines (section 604.9.4) it is recommended that the grab bars be split or shifted to the wide side of the stall.