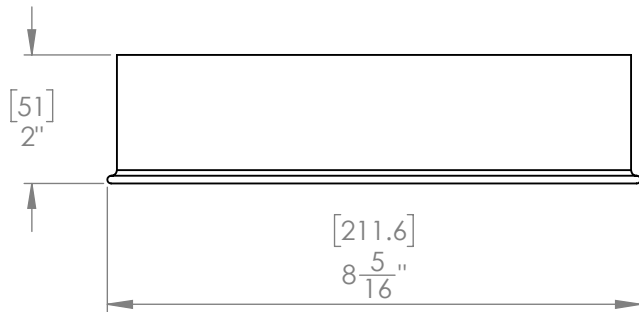
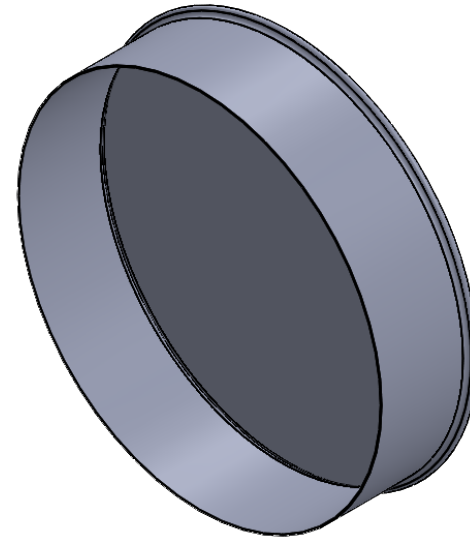


[203.1]  
 $\varnothing 8''$  I.D.

[204.1]  
 $\varnothing 8\frac{1}{16}''$  O.D.



[51]  
 2"


[211.6]  
 $8\frac{5}{16}''$

**FOR REFERENCE ONLY**

REVISION	DESCRIPTION :
00	8" End Cap BE (No Crimp)

PROPRIETARY AND CONFIDENTIAL

THE INFORMATION CONTAINED IN THIS DRAWING IS THE SOLE PROPERTY OF Imperial Manufacturing Group. ANY REPRODUCTION IN PART OR AS A WHOLE WITHOUT THE WRITTEN PERMISSION OF Imperial Manufacturing Group IS PROHIBITED.

NAME	DATE	TITLE:	
FK	2019-10-10	8" End Cap BE (No Crimp)	
UNLESS OTHERWISE SPECIFIED: DIMENSIONS ARE IN MM TOLERANCES: +/-1.6mm +/- 1/16"		MATERIAL: Black Matt 24ga	FINISH: Black Matt
		SIZE <b>A</b>	PART NO. BM0031
		SCALE: 1:3	DO NOT SCALE DRAWING
		SHEET 1 OF 1	