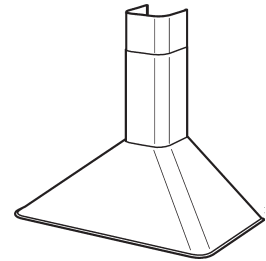


RME5000 SERIES RANGE HOOD



A combination of Italian chimney hood design with tremendous value to meet the requirements of today's conventional appliance and kitchen styles and consumer's desire for ENERGY STAR® qualifications.

FEATURES

- Professional style design
- Finish: 430 Stainless Steel #4 Brushed
- Wall mount installation
- Seamless corners for easy cleaning
- Telescopic flue - fits 8 ft. to 9 ft. ceilings
- 6" round duct connector/backdraft damper
- 290 cfm centrifugal blower
- Multi-speed slide control
- Two 13Watt, G24Q-1 compact fluorescent lamps (included)
- Heat Sentry™ automatically turns blower to high speed when excess cooking heat is detected
- Dishwasher-safe aluminum filter features a quick-release latch and professional style appearance
- Available size: 30"
- For indoor use only

OPTIONS

- Replacement grease filter and bulbs available
- Flue Extension for 10-ft. ceiling (Model RFX50 Series in Stainless Steel)

SPECIFICATIONS

VOLTS	HZ	AMPS	CFM		SONES		DUCT
			MAX.	NORM.	MAX.	NORM.	
120	60	2.86	290	130	5.5	0.5	6" round



HVI-2100 CERTIFIED RATINGS comply with new testing technologies and procedures prescribed by the Home Ventilating Institute, for off-the-shelf products, as they are available to consumers. Product performance is rated at 0.1 in. static pressure, based on tests conducted in a state-of-the-art test laboratory. Sones are a measure of humanly-perceived loudness, based on laboratory measurements.



TYPICAL SPECIFICATION

Range hood shall be Broan Model RME50000.

Unit shall be for indoor use only.

Unit shall be ducted using a washable aluminum filter.

Motor to be permanently lubricated.

Unit shall have four-speed fan switch and separate light switch.

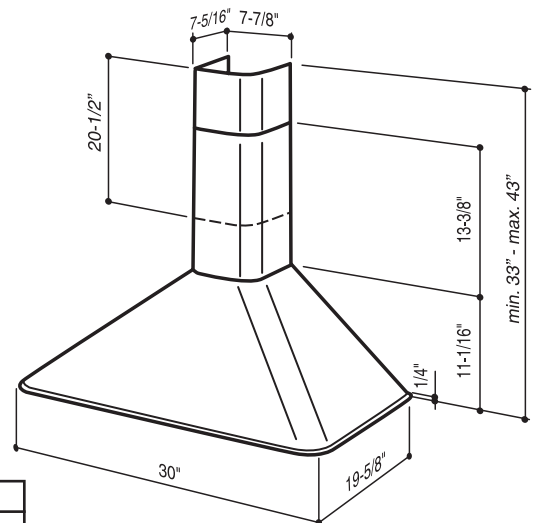
Sides shall be mitered and bottom edge hemmed - with no sharp edges.

Air delivery shall be no less than 290 CFM.

Unit shall be U.L. and cUL listed.

Air and sound ratings to be certified by HVI.

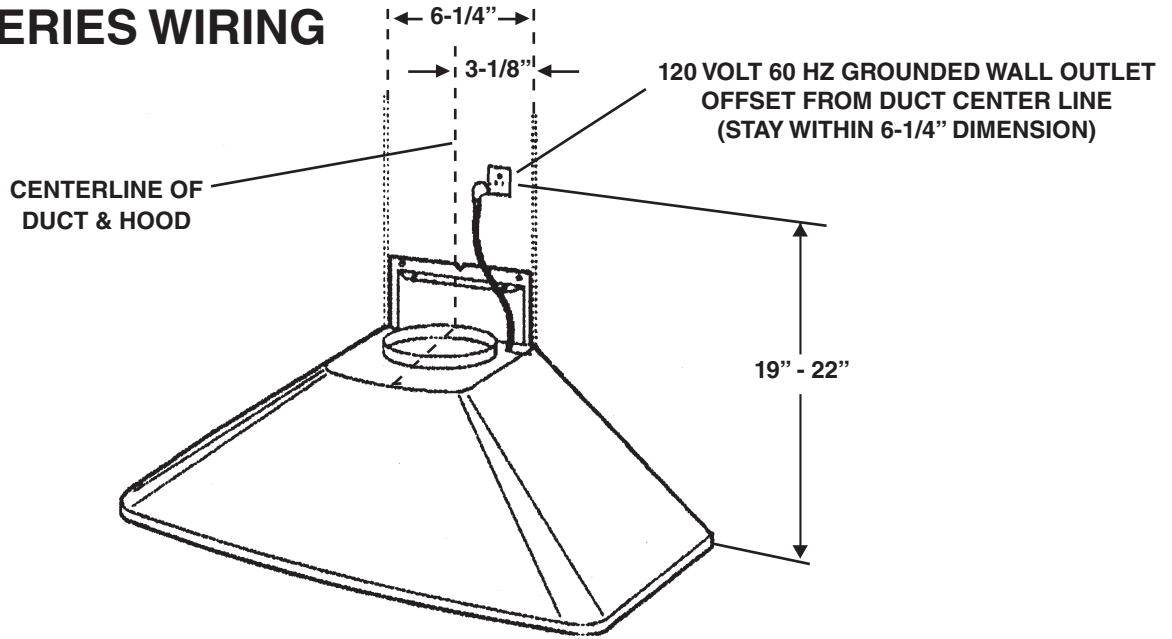
Unit shall be ENERGY STAR® certified.



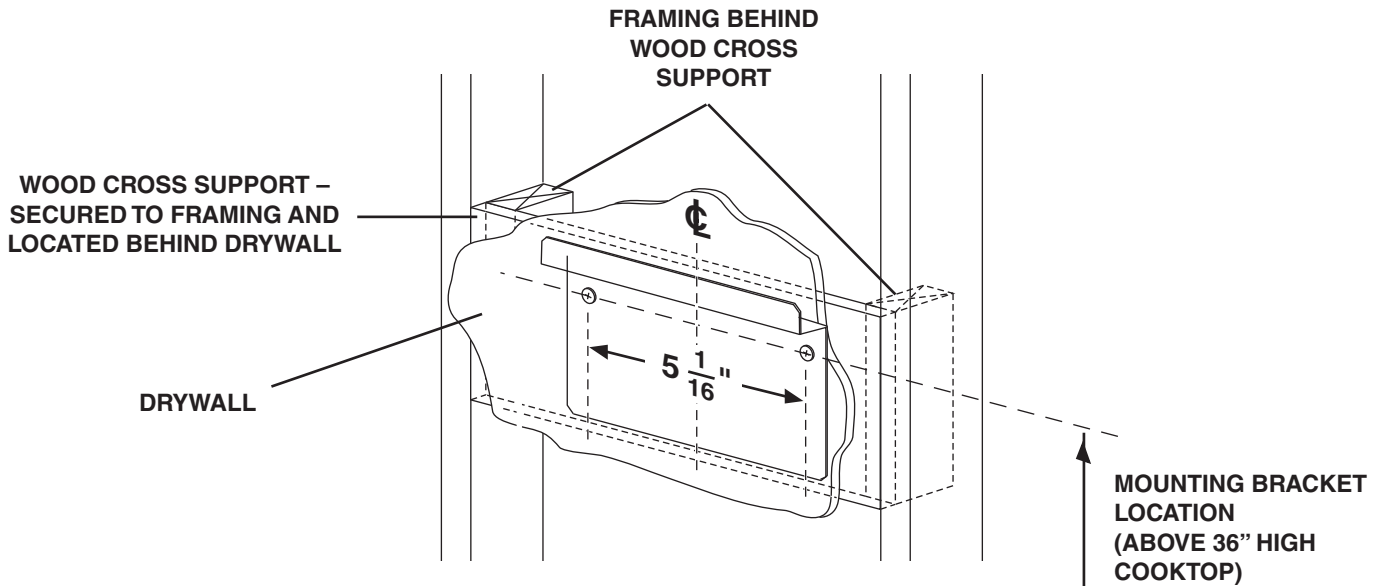
Broan-NuTone LLC Hartford, Wisconsin www.broan.com 800-558-1711
Broan-NuTone Canada Mississauga, Ontario www.broan.ca 877-896-1119

REFERENCE	QTY.	REMARKS	Project
			Location
			Architect
			Engineer
			Contractor
			Submitted by Date

RME50000 SERIES WIRING



RME50000 SERIES MOUNTING



CEILING HEIGHT	DUCT METHOD	MOUNTING DISTANCE ABOVE 36" HIGH COOKTOP (SEE NOTE 1)						
		24"	25"	26"	27"	28"	29"	30"
8 FEET	DUCTED	37"	38"	39"	40"			
9 FEET	DUCTED						42"	43"
10 FEET	DUCTED (SEE NOTE 2)				40"	41"	42"	43"

NOTES:

1. Minimum hood distance above cooktop must not be less than 24". A maximum of 30" above the cooktop is highly recommended for best capture of cooking impurities. Distances over 30" above the cooktop are at the installer's and user's discretion - providing that ceiling height and flue length permit.
2. Requires optional 10-foot flue extension model RFX5004.

