

see what Delta can do™

## SHOWER COLUMN KIT

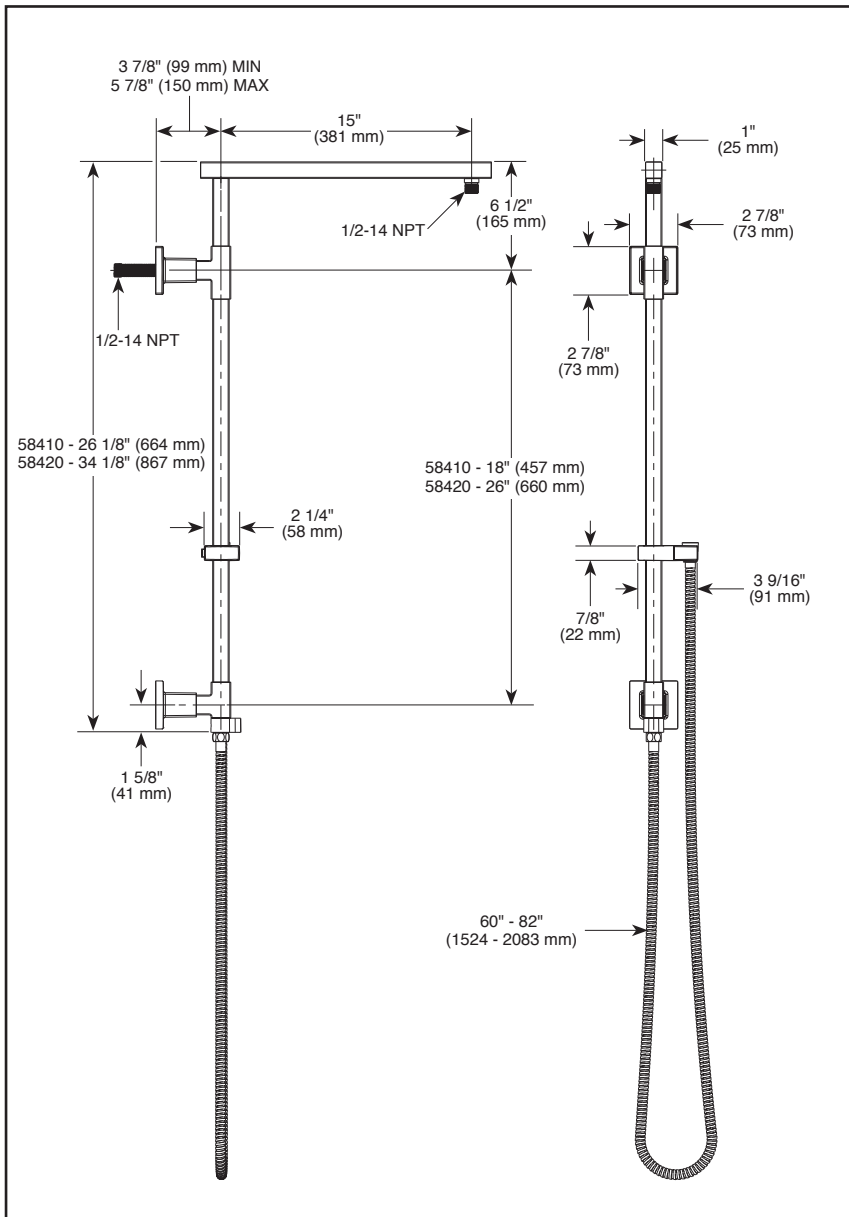
■ Less Hand Shower and Shower Head

### FEATURES:

- Lumicoat® Finish (-PR models only)
- Lumicoat® Finishes easily wipe clean without cleaners and chemicals on the products most commonly touched areas

### STANDARD SPECIFICATIONS:

- 58410: 18" Angular Modern Shower Column - for shower applications
- 58420: 26" Angular Modern Shower Column - for tub/shower applications
- Shower head and hand shower sold separately to allow for customization
- Sliding hand shower mount adjusts the height and angle of the hand shower
- 15" overhead shower arm
- 3-function diverter at the base of the column allows for single or shared operation of the shower head and hand shower
- 60" - 82" stretchable metal hose
- Retrofits into existing shower arm - no need to modify in-wall plumbing
- Not to be used as a grab bar
- Integrated hose supply. No need for separate wall elbow
- RP100181 (not included): Replaces inlet adapter and limits flow of single and shared operation to 1.75 gpm @ 80 psi, 6.6 L/min @ 550 kPa
- Lumicoat® is not applied to the slide bar or shower hose



### WARRANTY

- Parts and Finish - Lifetime limited warranty; or for commercial purchasers, 10 years for multi-family residential (apartments and condominiums) and 5 years for all other commercial uses, in each case from the date the product is received by the original purchaser or their authorized representative (installation contractor, etc.).
- Electronic Parts and Batteries (if applicable) - 5 years from the date the product is received by the original purchaser or their authorized representative (installation contractor, etc.); or for commercial purchasers, 1 year from the date the product is received by the original purchaser or their authorized representative (installation contractor, etc.). No warranty is provided on batteries.
- Please go to [www.deltafaucet.com](http://www.deltafaucet.com) for the complete details of our limited warranty.

### COMPLIES WITH:

- ASME A 112.18.1 / CSA B125.1
- ICC/ANSI A117.1 - Diverter control and hose only

RP100181



▲ Designate proper finish suffix

Delta reserves the right (1) to make changes in specifications and materials, and (2) to change or discontinue models, both without notice or obligation. Dimensions are for reference only. See current full-line price book or [www.deltafaucet.com](http://www.deltafaucet.com) for finish options and product availability.

DSP-B-58410 Rev. D

### Delta Faucet Company

55 E. 111th Street, Carmel, IN 46280  
350 South Edgeware Road, St. Thomas, ON N5P 4L1  
© 2024 Delta Faucet Company