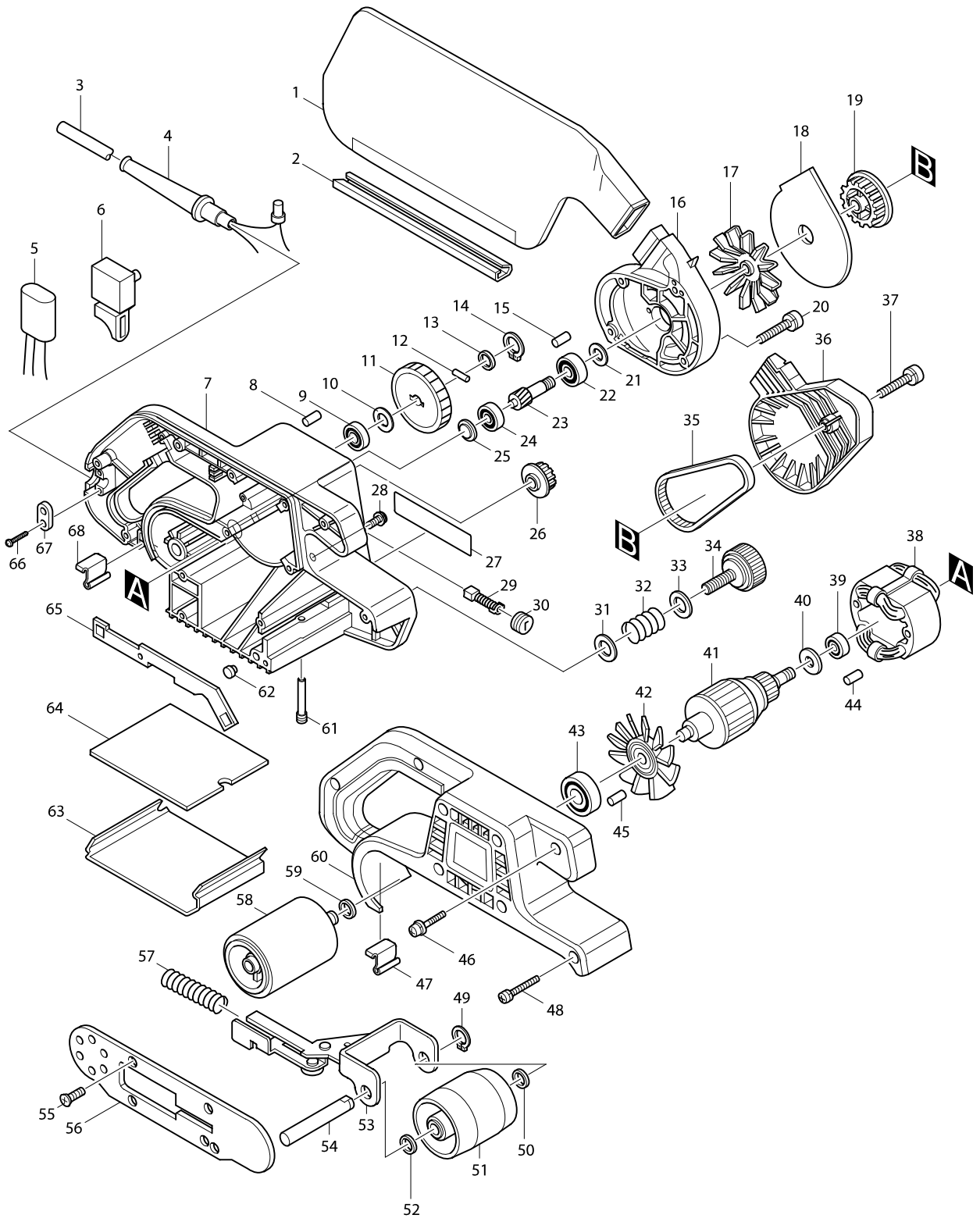


# Model No. 9901 BELT SANDER 76MM



# Model No. 9901 BELT SANDER 76MM

Item	Parts No.	Description	I/C	QTY	N/O	Opt. 1	Opt. 2	NOTE
001	122329-5	DUST BAG ASS'Y		1				
D10		INC. 2						
002	410602-8	FASTENER		1				
003	666053-5	POWER SUPPLY CORD 1.0-2-2.0		1				
004	682502-4	CORD GUARD 8-85		1				
005	645200-1	NOISE SUPPRESSOR		1				
006	651235-2	SWITCH C2M-A1T		1	*			
006-1	651225-5	SWITCH SGEL215C	S	1				
007	157668-4	MOTOR HOUSING (L)		1	*			
C10	214059-3	PLANE BEARING 10		1	*			
C20	643603-3	BRUSH HOLDER 6-10		2	*			
D10		INC. 8,44			*			
007-1	159773-3	MOTOR HOUSING (L)	S	1				
C10	214059-3	PLANE BEARING 10		1				
C20	643603-3	BRUSH HOLDER 6-10		2	*			
C21	643609-1	BRUSH HOLDER 6-10	O	2				
D10		INC. 8,44						
008	263002-9	RUBBER PIN 4		1				
009	211064-1	BALL BEARING 6000		1				
010	253758-2	FLAT WASHER 10		1				
011	221749-1	HELICAL GEAR 67		1				
012	256101-4	PIN 3		1				
013	253310-6	THIN WASHER 10		5				
014	961006-2	RETAINING RING S-10		1				
015	263002-9	RUBBER PIN 4		1				
016	152384-3	BRACKET		1				
D10		INC. 15						
017	241856-4	FAN 72		1				
018	343356-1	DUST COVER		1				
019	222122-8	PULLEY 10-38.3		1				
020	911143-2	PAN HEAD SCREW M4X22		4				
021	253139-0	FLAT WASHER 8		1				
022	210002-0	BALL BEARING 608LH		1				
023	221786-5	HELICAL GEAR 11		1				
024	211019-6	BALL BEARING 626		1				
025	286026-8	CAP 18		1				
026	222121-0	PULLEY 10-22.1 (L)		1				
027	855842-5	NAME PLATE 9901		1				
028	911209-8	PAN HEAD SCREW M5X10		1				
029	181030-1	CARBON BRUSH CB-100		1	*			
029-1	194974-6	CARBON BRUSH SET CB-100	<	1				
030	643600-9	BRUSH HOLDER CAP 6-10		2				
031	253707-9	FLAT WASHER 16		1				
032	231225-7	COMPRESSION SPRING 16		1				
033	253707-9	FLAT WASHER 16		1				
034	251815-0	SCREW M6X25		1				
035	225064-5	BELT 8-269		1				
036	410787-0	BELT COVER		1				

