

## DESCRIPTION

- Metal construction with various finishes identified by suffix
- 3/8" compression cold water inlet connection
- Tube connections to hot water tank
- Open vent faucet Intended to be used with Moen IH2300 Instant Hot Water Tank

## OPERATION

- Two step handle operation prevents accidental activation
- Handle button operates with less than 5 lbs. force

## FLOW

- Flow is limited to 1.5 gpm [5.7 L/min] at 60 psi

## CARTRIDGE

- Ceramic disc cartridge

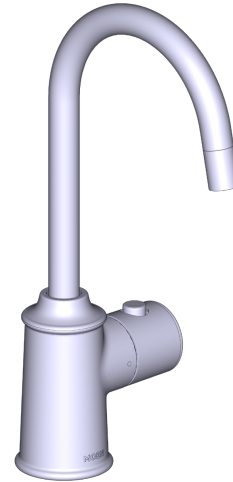
## STANDARDS

- Third part certified to ASME A112.18.1-CSA B125.1 and all applicable requirements referenced therein including NSF61/9 & 372 and ASSE 1023

## WARRANTY

- 3 year limited warranty

Visit [www.moen.com/support](http://www.moen.com/support) for complete details and limitations

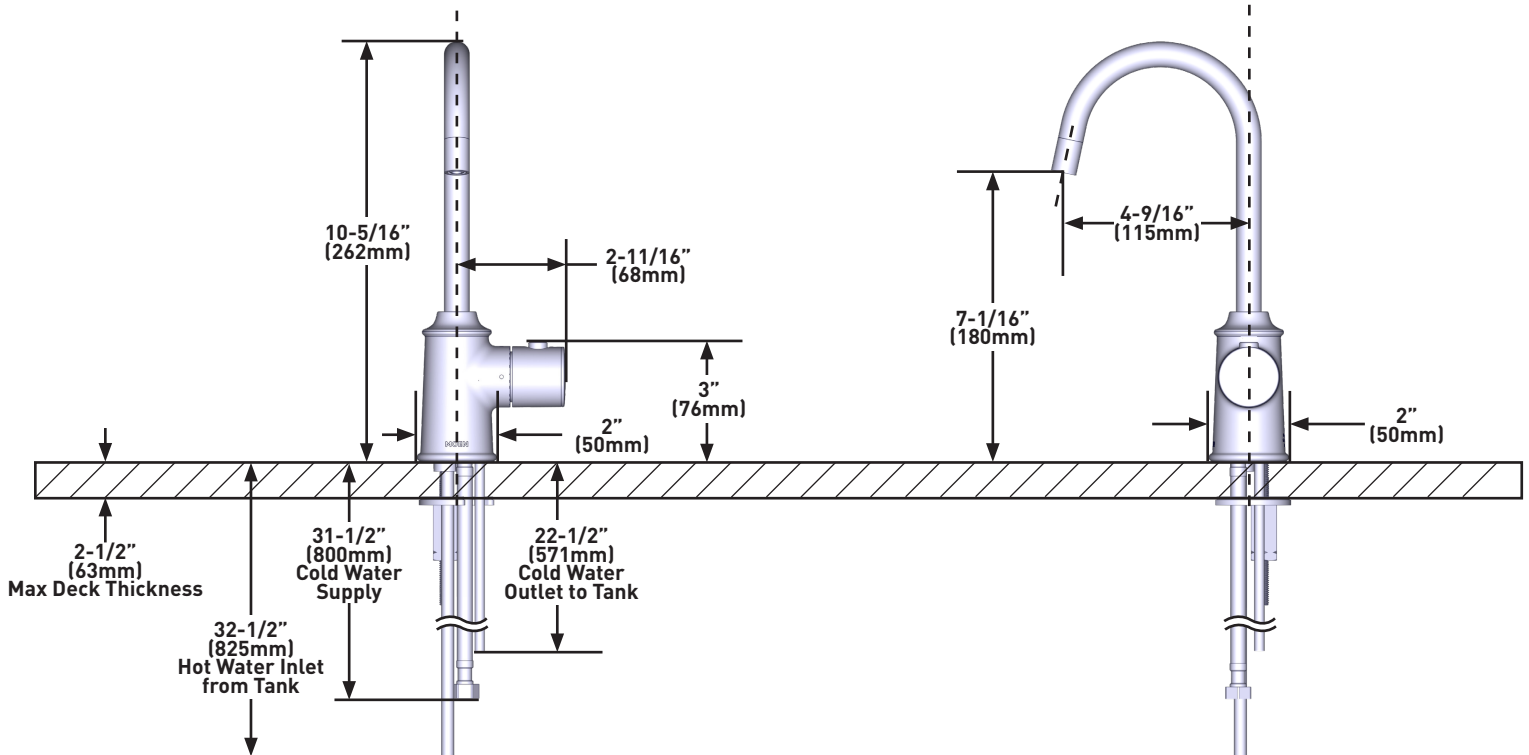


## SIPTM

### Traditional Instant Hot Faucet

**MODELS:** IH7600 Series

**NOTE: THIS FAUCET IS DESIGNED TO BE INSTALLED THROUGH 1 HOLE, 1-1/4" (32mm) MIN. DIA.**



**CRITICAL DIMENSIONS** DO NOT SCALE