

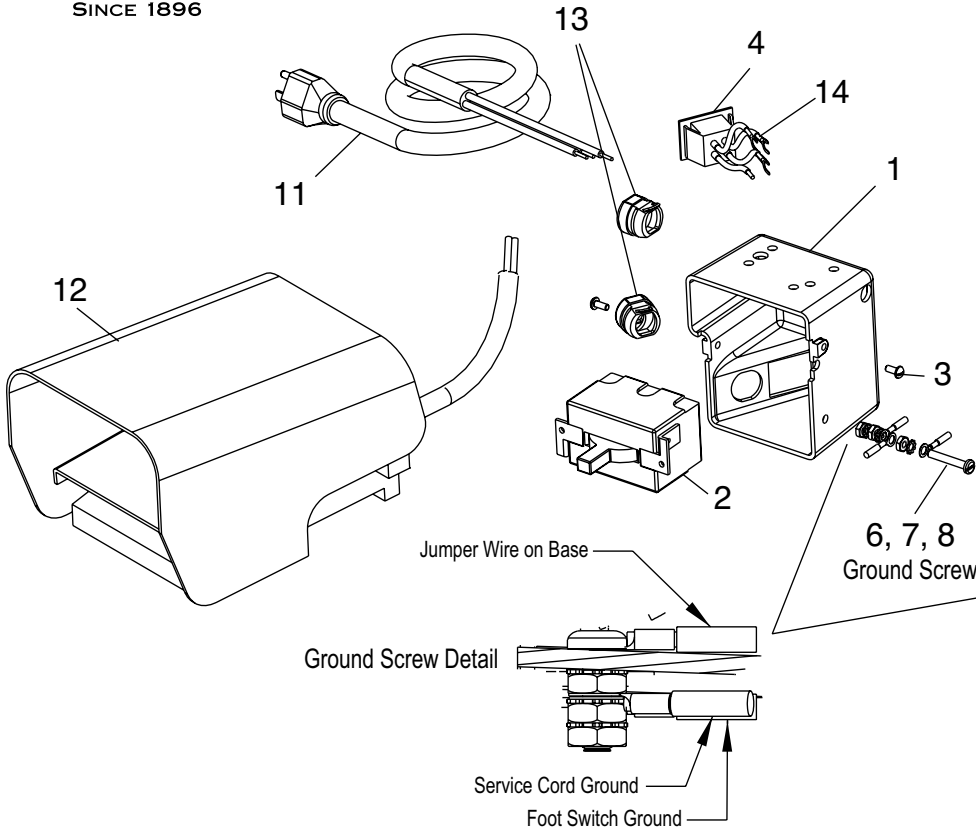


PIPE TOOLS & VISES
SINCE 1896

5301PD Power Drive

Replacement Parts

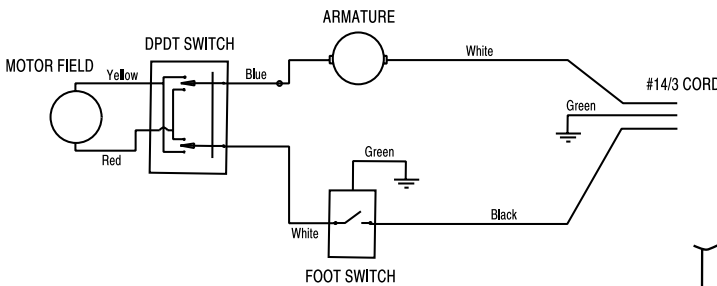
5301PD Electrical Assembly



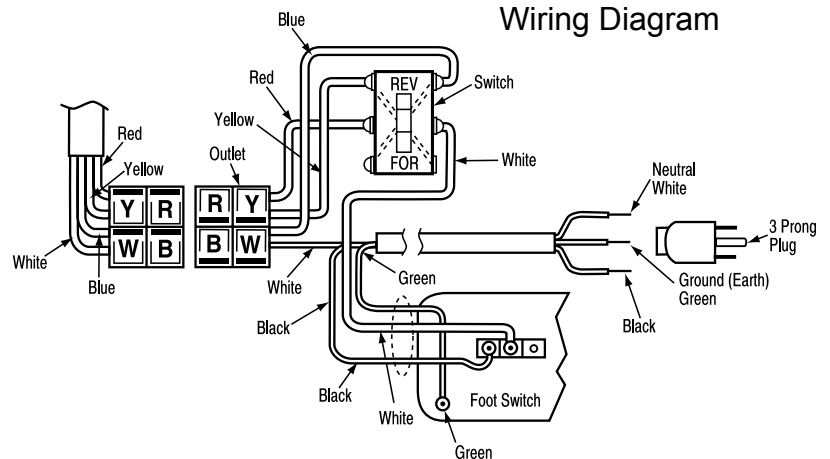
Parts List

| Ref. No. | Description | Item Code | Qty. | Ridgid # |
|----------|----------------------|-----------|------|------------|
| 1 | SWITCH BOX | 95430 | 1 | — |
| 2 | SWITCH | 95557 | 1 | 44505 |
| 3 | SCREW | 30106 | 2 | — |
| 4 | OUTLET JUMPER ASSY. | 95556 | 1 | — |
| 5 | RING TONGUE TERMINAL | 98859 | 3 | — |
| 6 | SCREW (GROUND) | 30159 | 1 | — |
| 7 | LOCK WASHER | 35423 | 3 | 46985 5/Pk |
| 8 | HEX NUT | 30117 | 3 | — |
| 9 | GROUND WIRE | 95438 | 1 | — |
| 10 | SCREW | 35431 | 1 | — |
| 11 | LINE CORD W/PLUG | 95432 | 1 | 46740 |
| 12 | FOOT SWITCH W/CORD | 95574 | 1 | 36642 |
| 13 | CORD GROMMET | 95429 | 3 | 46735 |
| 14 | SPADE TERMINAL | 35436 | 4 | — |

5301PD Wiring Schematic



5301PD Wiring Diagram



RIDGID® is a registered trademark of RIDGID, Inc. and is not associated with Reed Manufacturing Company

Reed Manufacturing Company
1425 West 8th Street
Erie, PA 16502 USA



Phone: 800-666-3691 or 814-452-3691
Fax: 800-456-1697 or 814-455-1697
www.reedmfgco.com

3 of 7 RP-0919-86
See Also: #55301 Operator's Manual