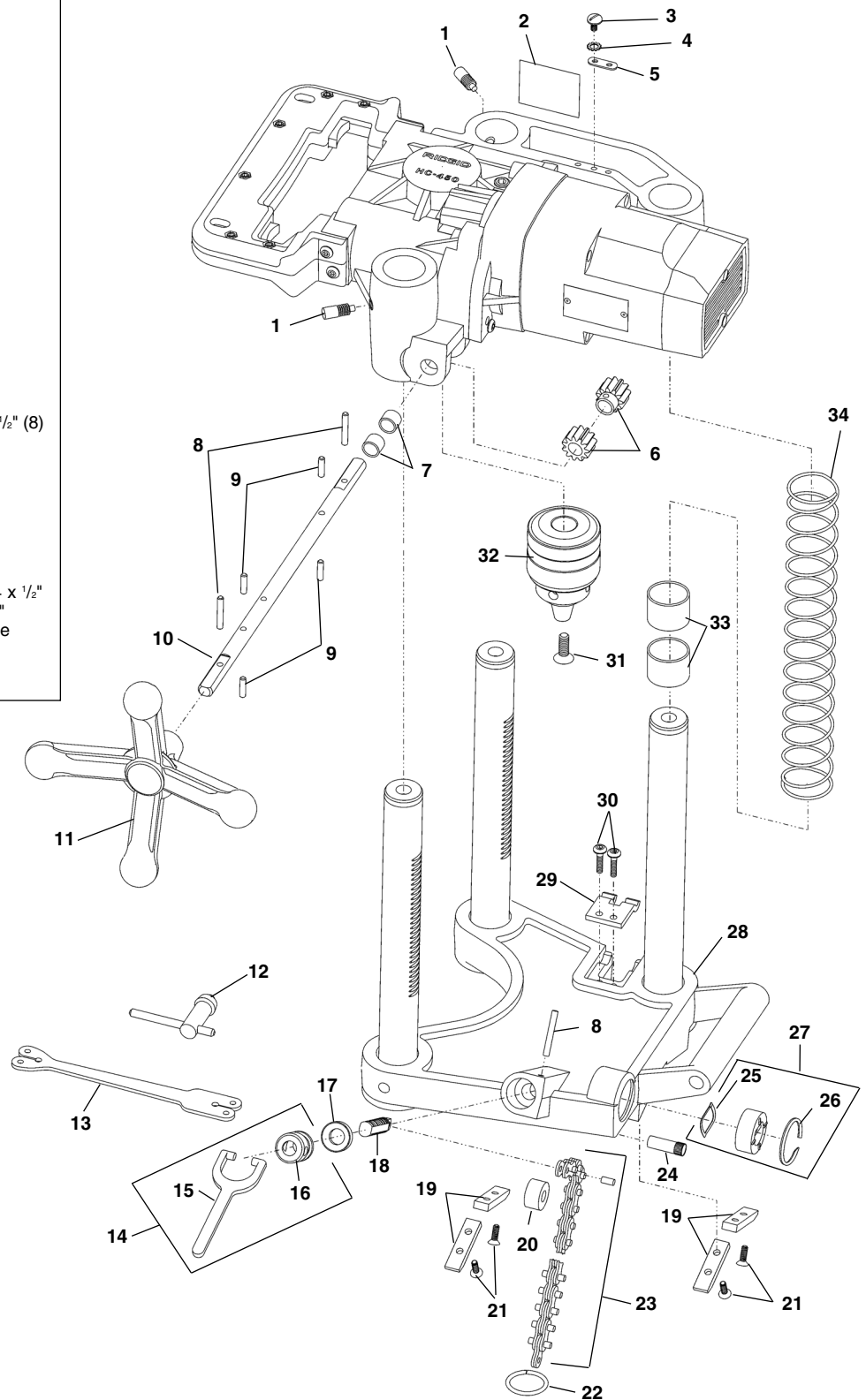


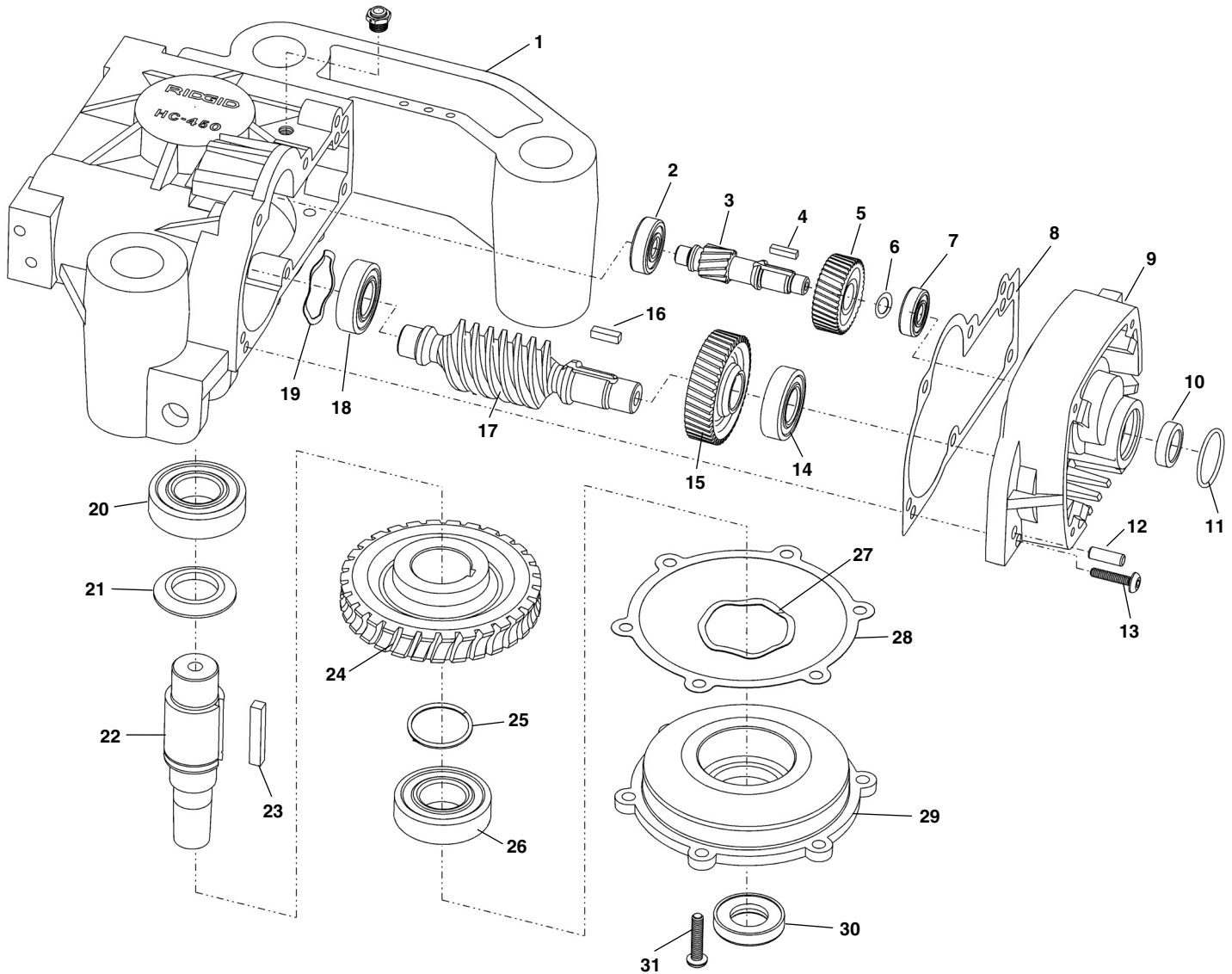
Main Components

**NOTE: Order parts by Catalog Number only.
DO NOT order by Reference Number.**

| Ref. No. | Catalog No. | Description |
|----------|-------------|--|
| 1 | 59382 | Gib Screw (2) |
| 2 | 59337 | Warning Label |
| 3 | 45420 | Screw, #10-24 x 3/8" |
| 4 | 46985 | Lock Washer #10 |
| 5 | 59407 | Ground Spacer |
| 6 | 59092 | Pinion (2) |
| 7 | 53072 | Bearing (3) |
| 8 | 36387 | Split Roll Pin 3/16" x 1" (3) |
| 9 | 34342 | Roll Pin, 3/16" x 15/16" (4) |
| 10 | 70797 | Feed Shaft, 120V/230V |
| | 70802 | Feed Shaft, 100V |
| 11 | 58957 | Handwheel |
| 12 | 59132 | Chuck Key – Jacobs Style |
| | 59057 | Chuck Key – JIS Style |
| 13 | 59102 | Key Keeper |
| 14 | 32115 | Handle Assembly w/Nut |
| 15 | 32120 | Handle |
| 16 | 32130 | Swivel Nut |
| 17 | 58987 | Friction Ring |
| 18 | 32135 | Chain Screw |
| 19 | 59187 | Wear Pad with Screws (4) |
| 20 | 40990 | Roll |
| 21 | 59192 | Soc. Flat Hd. Screw, #10-24 x 1/2" (8) |
| 22 | 32555 | Wire Ring |
| 23 | 59012 | Chain Assembly |
| 24 | 41035 | Knurl Pin |
| 25 | 59017 | Wave Washer |
| 26 | 59182 | Retaining Ring |
| 27 | 58997 | Level Vial Assembly |
| 28 | 58977 | Base Assembly w/Posts |
| 29 | 58992 | Wear Plate |
| 30 | 40260 | Soc Head Cap Screw, #10-24 x 1/2" |
| 31 | 59377 | Flat Head Screw, 5/16" - 18 x 1" |
| 32 | 59247 | Chuck with Key – Jacobs Style |
| | 59022 | Chuck with Key – JIS Style |
| 33 | 59027 | Bearing (6) |
| 34 | 59177 | Compression Spring (3) |



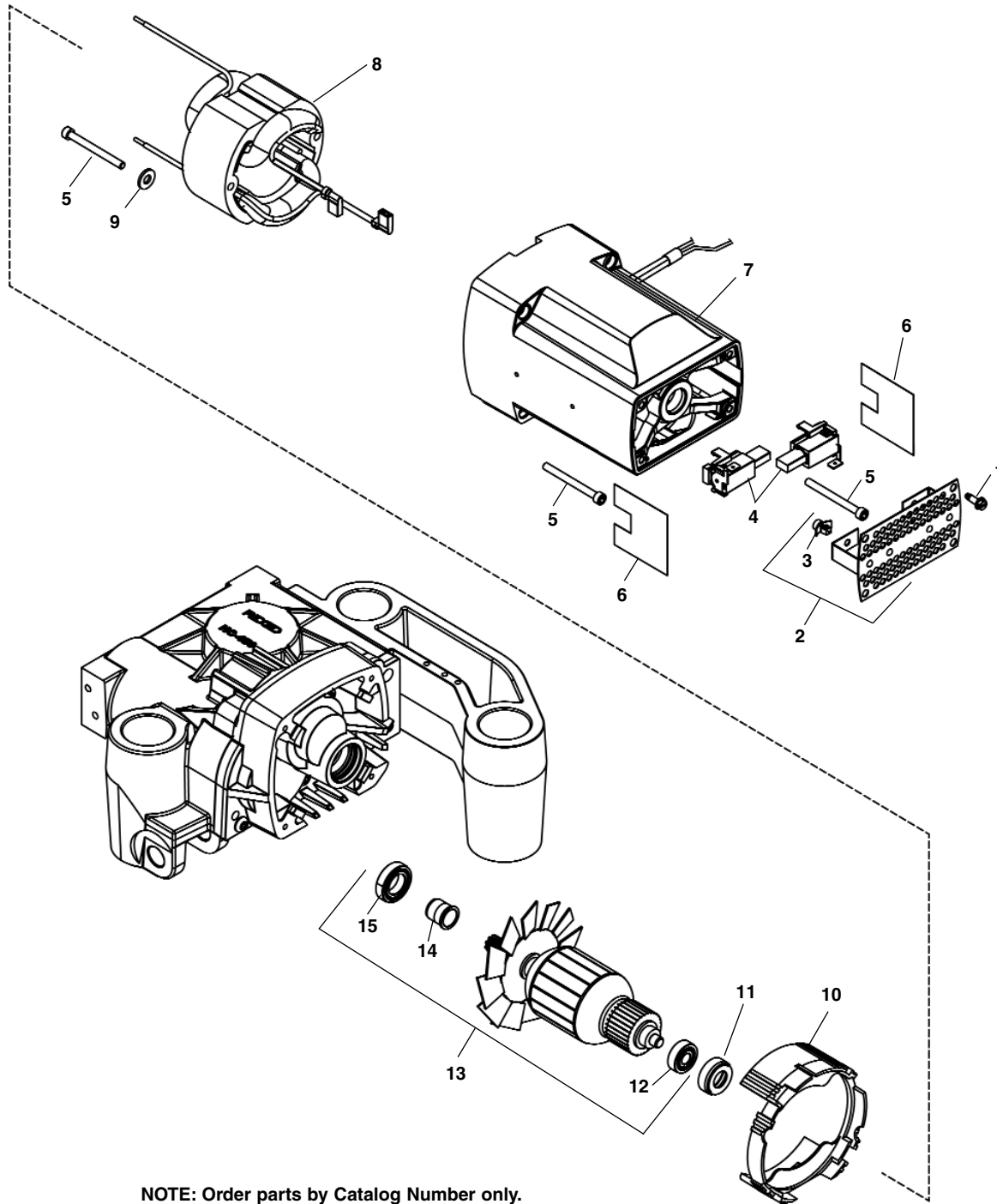
Transmission



**NOTE: Order parts by Catalog Number only.
DO NOT order by Reference Number.**

| Ref. No. | Catalog No. | Description | Ref. No. | Catalog No. | Description |
|----------|-------------|----------------------------------|----------|-------------|-------------------------------------|
| 1 | 29062 | Transmission Housing | 15 | 59052 | Helical Gear |
| 2 | 44760 | Ball Bearing | 16 | 26657 | Key, 3/16" Sq. x 5/8" Lg. |
| 3 | 77222 | Intermediate Gear Shaft, T2 | 17 | 59047 | Worm Shaft |
| | 59037 | Intermediate Gear Shaft | 18 | 44565 | Ball Bearing |
| 4 | 34472 | Key | 19 | 72267 | Wave Washer |
| 5 | 59042 | Helical Gear | 20 | 59152 | Angular Contact Bearing |
| 6 | 77237 | Spacer, T2 | 21 | 59162 | Spacer |
| 7 | 77217 | Ball Bearing, T2 | 22 | 59142 | Output Spindle |
| | 59147 | Ball Bearing | 23 | 26457 | Key, 1/4" Sq. x 1 3/16" |
| 8 | 72192 | Gasket, T2 | 24 | 59167 | Worm Gear |
| | 59077 | Gasket | 25 | 72217 | Retaining Ring |
| 9 | 77212 | Motor Adapter, T2 | 26 | 45315 | Ball Bearing |
| 10 | 77207 | Grease Seal, T2 | 27 | 59082 | Wave Washer |
| 11 | 77202 | O-Ring, T2 | 28 | 72207 | Gasket |
| | 60227 | O-Ring | 29 | 72202 | Cover |
| 12 | 44640 | Dowel Pin, 1/4" x 3/4" (2) | 30 | 59392 | Oil Seal |
| 13 | 72212 | Hex Button Hd Scr w/Sealant (12) | 31 | 59935 | Screw, 1/4" x 20 x 1" SHC |
| 14 | 59137 | Angular Contact Bearing | 32 | 40628 | Breather Plug 100V Only (NOT SHOWN) |

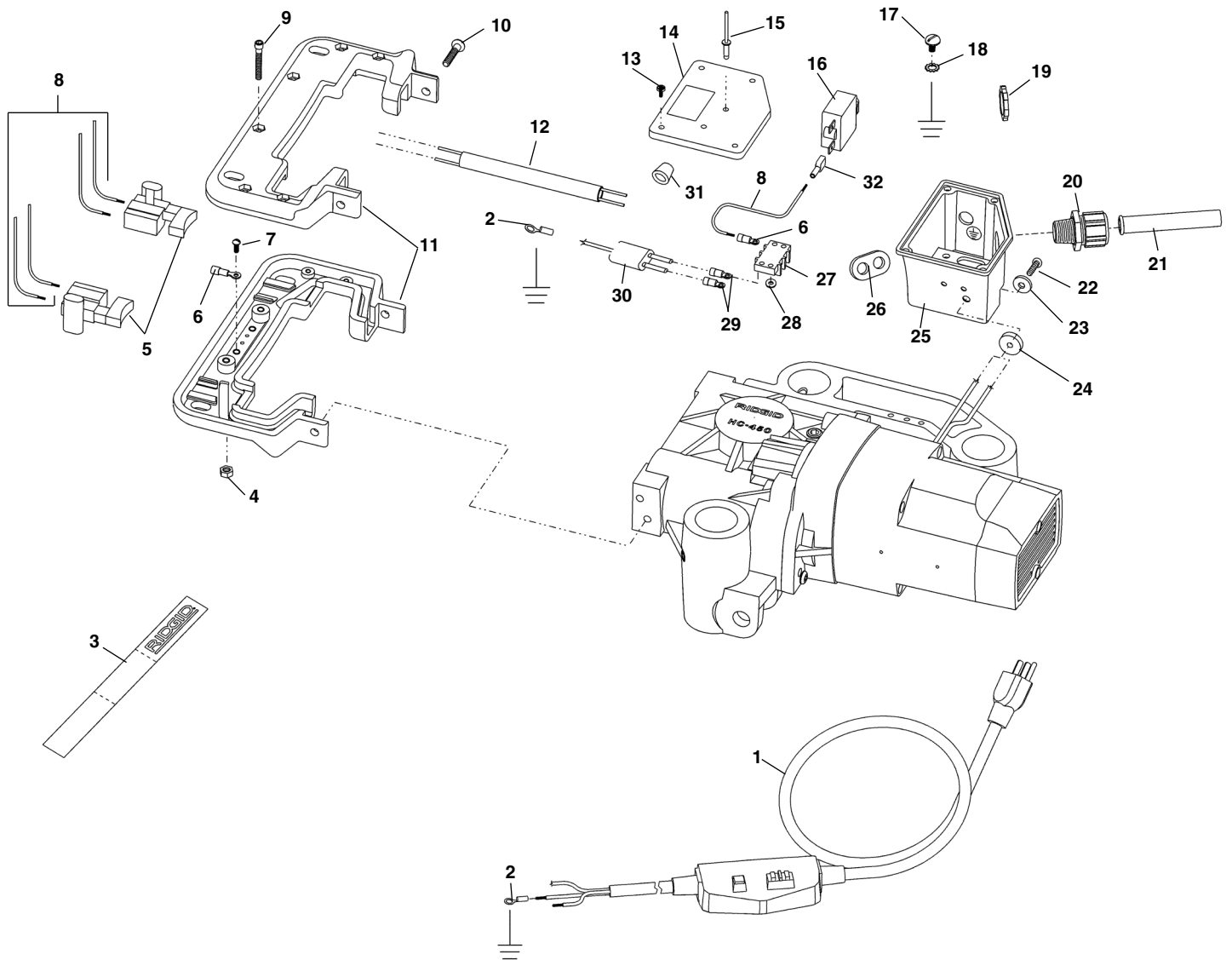
Motor Type 2 – Motors built after Serial Number EAL XXXX 1109



**NOTE: Order parts by Catalog Number only.
DO NOT order by Reference Number.**

| Ref. No. | Catalog No. | Description | Ref. No. | Catalog No. | Description |
|----------|-------------|-------------------------------------|----------|-------------|------------------------|
| 1 | 10908 | Screw, Self Tapping (4) | 9 | 41592 | Washer |
| 2 | 10913 | End Cover | 10 | 35328 | Fan Shroud |
| 3 | 10918 | Bumper (2) | 11 | 42777 | Rubber Sleeve |
| 4 | 34078 | Brush Assembly Set 115V | 12 | 43017 | Bearing |
| | 34083 | Brush Assembly Set 230V | 13 | 38833 | Armature Assembly 120V |
| 5 | 10923 | Screw, #10-24 x 2" Soc. Hd. Cap (6) | | 38838 | Armature Assembly 230V |
| 6 | 39003 | Shields (2) | | 38843 | Armature Assembly 100V |
| 7 | 10903 | Motor Housing HC-450 | 14 | 77227 | Armature Sleeve |
| 8 | 38848 | Field 120V | 15 | 77232 | Bearing |
| | 38853 | Field 220V | | | |
| | 38858 | Field 100V | | | |

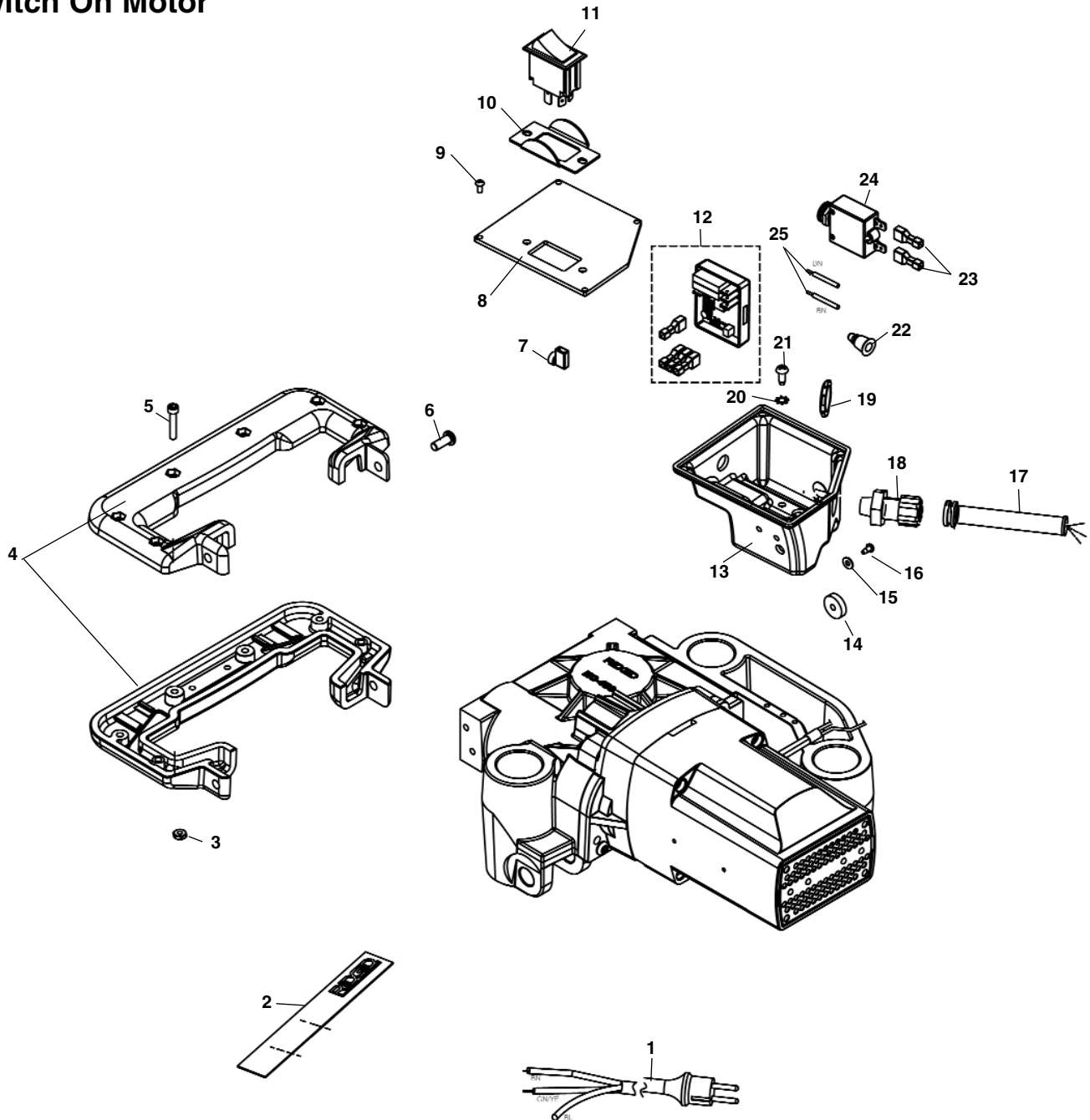
**120V/220 Components
Switch In Handle**



**NOTE: Order parts by Catalog Number only.
DO NOT order by Reference Number.**

| Ref. No. | Catalog No. | Description | Ref. No. | Catalog No. | Description | Ref. No. | Catalog No. | Description |
|----------|-------------|--|----------|-------------|-------------------------------|----------|-------------|-------------------------------|
| 1 | 50502 | Power Cord w/GFCI 120V | 11 | 59257 | Handle Set | 21 | 77002 | Cord Guard |
| | 65842 | Power Cord w/GFCI 220V | 12 | 59342 | Insulator Tube | 22 | 93740 | Screw Self Tap (2) |
| 2 | 26292 | Ring Terminal | 13 | 72167 | Screw, #6-32 x 5/16" (4) | 23 | 90812 | Washer |
| 3 | 59097 | Cinch Strap | 14 | 72147 | Cover Plate 120V | 24 | 59397 | Gasket |
| 4 | 44695 | Hex Nut #10-24 (6) | | 59227 | Cover Plate, 230V | 25 | 59122 | Junction Box |
| 5 | 59317 | Switch 115V (2) | 15 | 59112 | Pop Rivet, 5/32" (4) | 26 | 59402 | Seal |
| | 59362 | Switch, 230V (2) | 16 | 61302 | Circuit Breaker 15 Amp (120V) | 27 | 59367 | Terminal Block (220V Only) |
| 6 | 83895 | Ring Terminal | | 59357 | Circuit Breaker, 6 Amp (220V) | 28 | 90817 | Washer (220V only) |
| 7 | 32318 | Screw, #6-32 x 5/16" (2) | 17 | 59192 | Screw, #10-24 x 1/2" FH Soc. | 29 | 90807 | Ring Terminal (2) (220V Only) |
| 8 | 77027 | Switch Wire Set | 18 | 46985 | Lock Washer #10 | 30 | 36502 | Suppressor (220V Only) |
| 9 | 93680 | Soc. Hd. Cap Screw #10-24 x 1" (8) | 19 | 65642 | Lock Nut 1/2" NPT | 31 | 44635 | Wire Nut |
| 10 | 32205 | Soc. Hd. Cap Screw, 1/2" - 20 x 5/8" (4) | 20 | 65602 | Strain Relief | 32 | 59007 | Terminal Set |

Switch On Motor



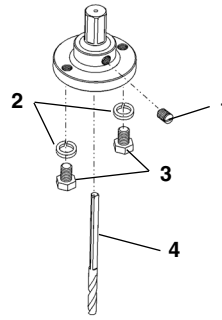
**NOTE: Order parts by Catalog Number only.
DO NOT order by Reference Number.**

| Ref. No. | Catalog No. | Description | Ref. No. | Catalog No. | Description | Ref. No. | Catalog No. | Description |
|----------|-------------|--------------------------------------|----------|-------------|------------------------------|----------|-------------|-------------------------------|
| 1 | 50502 | Power Cord w GFCI 115V | 9 | 72167 | Screw #6-32 x 5/16" (4) | 19 | 65642 | Lock Nut 1/2" |
| | 65842 | Power Cord w GFCI 220V | 10 | 10408 | Switch Guard | 20 | 49685 | Washer |
| | 89155 | Power Cord 100V | 11 | 58597 | Switch | 21 | 59192 | Flat Head Screw #10-24 x 1/2" |
| 2 | 59097 | Cinch Strap | 12 | 39318 | Soft Start Assy. (220V Only) | 22 | 44635 | Wire Nut |
| 3 | 44695 | Hex Nut #10-24 (6) | 13 | 40758 | Junction Box | 23 | 59007 | Terminal Set |
| 4 | 40748 | Handle Set w/o Switch Holes | 14 | 59397 | Gasket | 24 | 61302 | Circuit Breaker 12 Amp (120V) |
| 5 | 93680 | Soc. Hd Cap Screw #10-24 x 1" (6) | 15 | 90812 | Washer | | 59357 | Circuit Breaker 6 Amp (220V) |
| 6 | 32205 | Soc. Hd Cap Screw 1/2"-20 x 5/8" (4) | 16 | 93740 | Self Tap Screw (2) | | 58962 | Circuit Breaker 15 Amp (100V) |
| 7 | 40773 | Right Angle Disconnect (2) | 17 | 77002 | Cord Guard | 25 | 73012 | Lead Wire Asm |
| 8 | 40753 | Cover Plate 120V | 18 | 65602 | Strain Relief | | | |

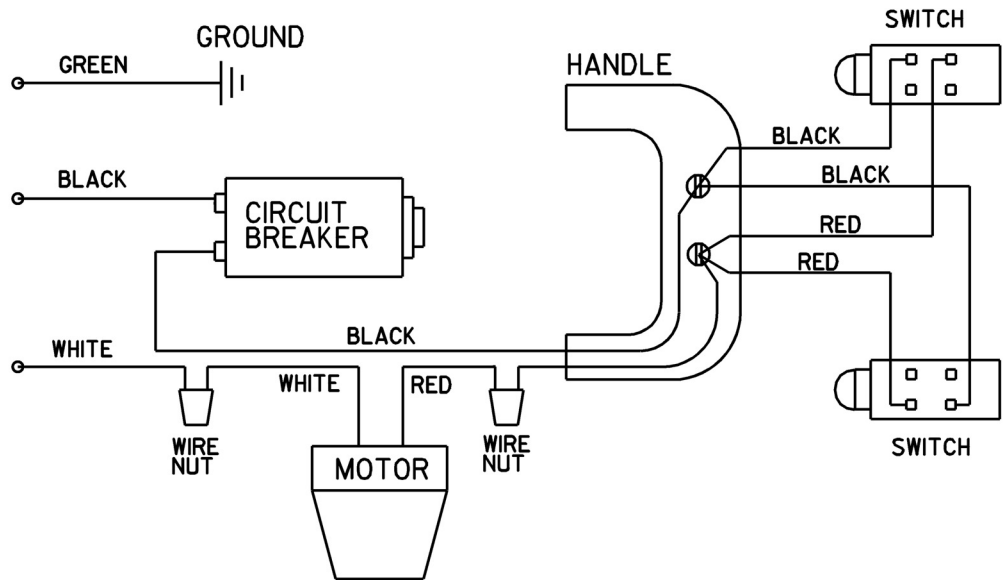
R-4 Arbor Assembly

**NOTE: Order parts by Catalog Number only.
DO NOT order by Reference Number.**

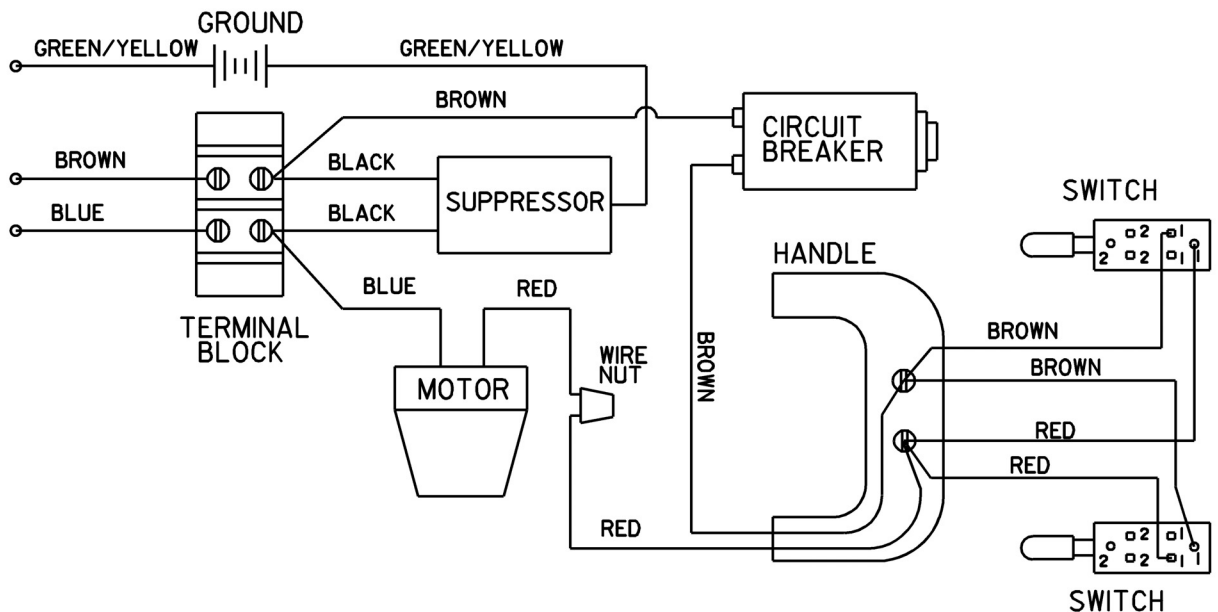
| Ref. No. | Catalog No. | Description |
|----------|-------------|---------------------------------------|
| — | 59502 | R-4 Arbor Assembly |
| 1 | 59387 | Set Screw, 5/16" - 24 x 1/2", Cup Pt. |
| 2 | 60080 | Lock Washer, 5/16" (2) |
| 3 | 60010 | Hex Screw, 5/16" - 18 x 1/2" (2) |
| 4 | 53085 | Pilot Drill, 1/4" |



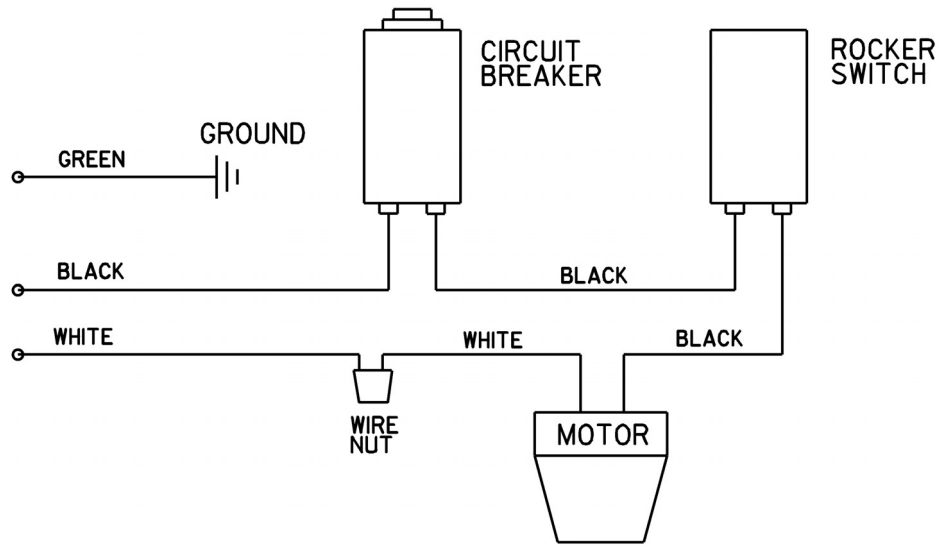
120V Wiring Diagram Switch In Handle



230V Wiring Diagram Switch In Handle



100V/115V Wiring Diagram Switch On Motor



230V Wiring Diagram Switch On Motor (w/Soft Start)

