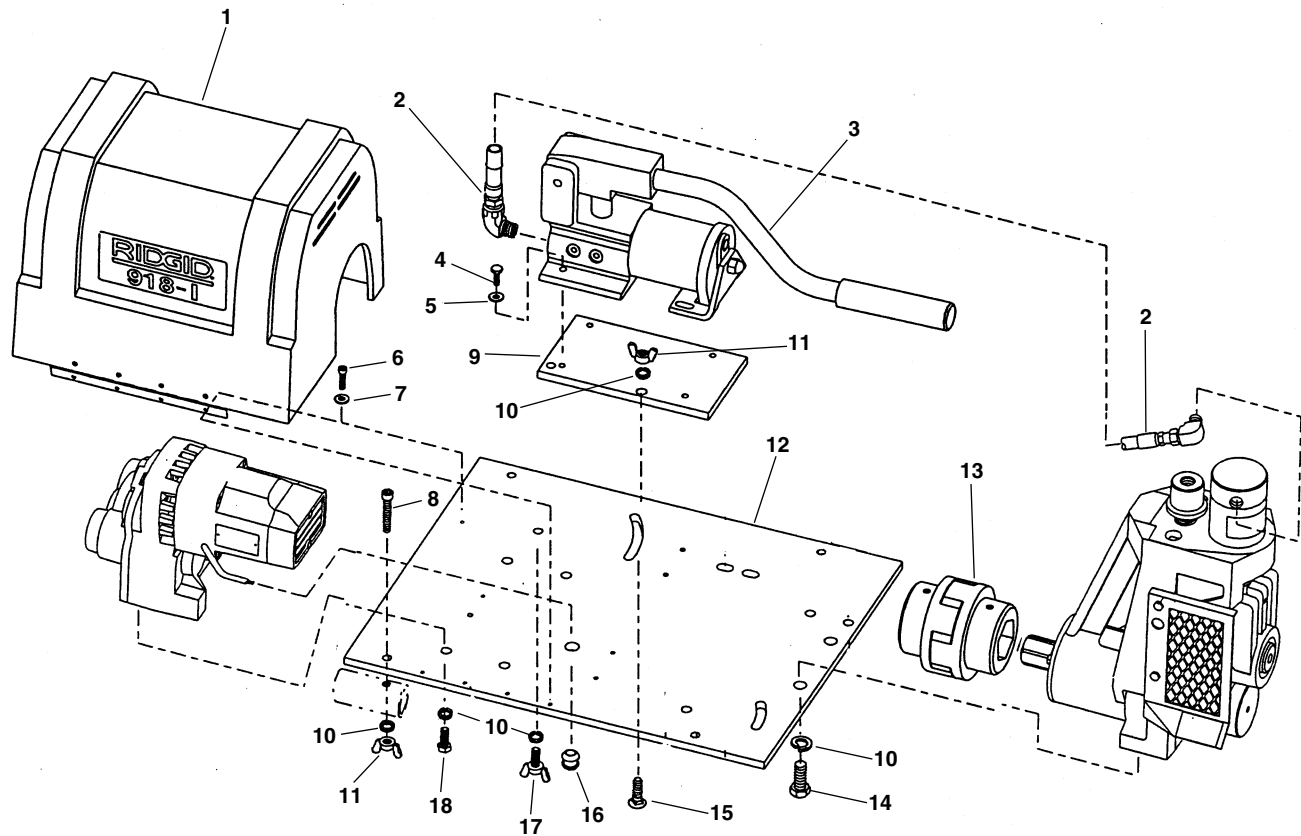
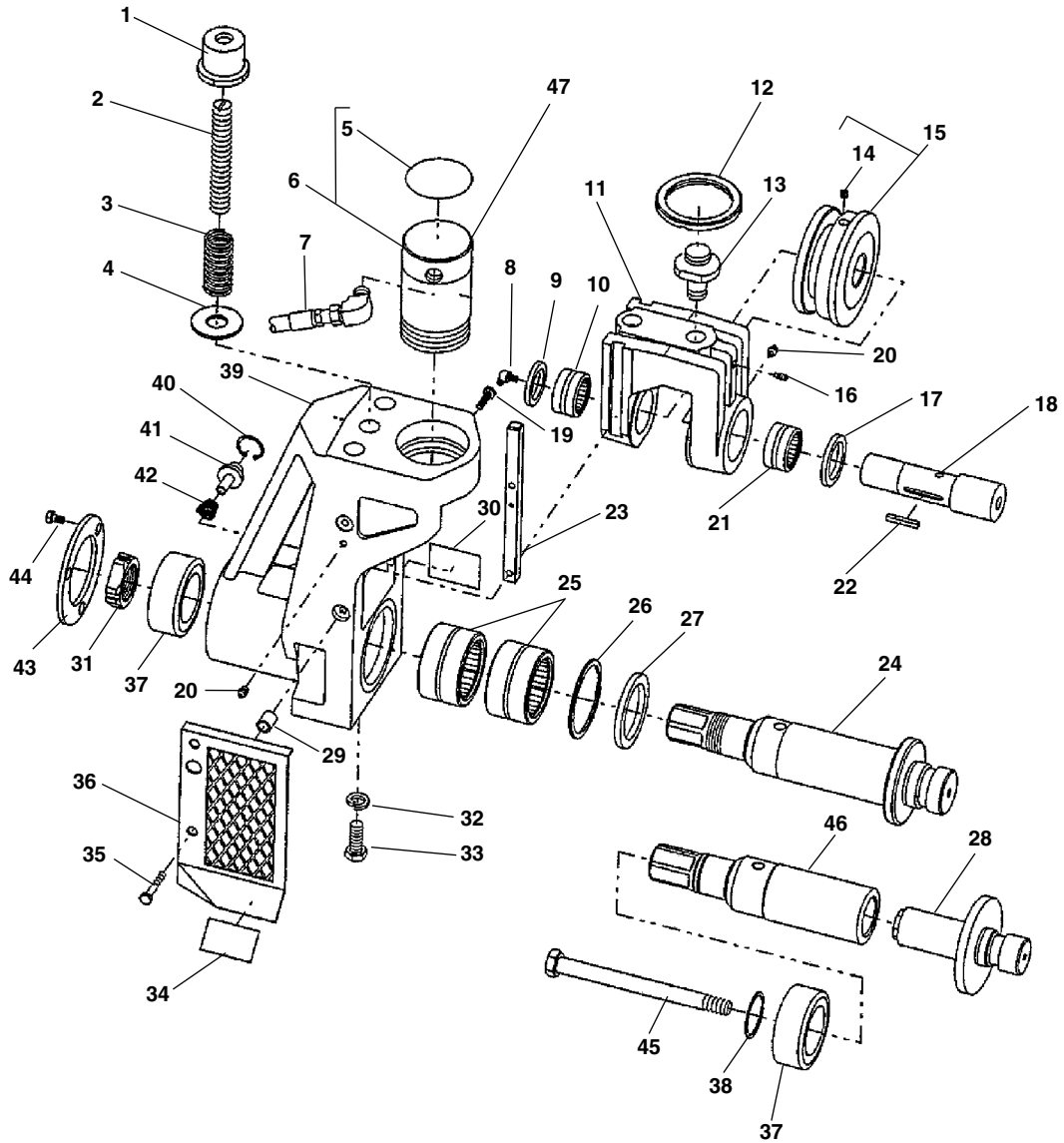


Base Assembly



**NOTE: Order parts by Catalog Number only.
DO NOT order by Reference Number.**

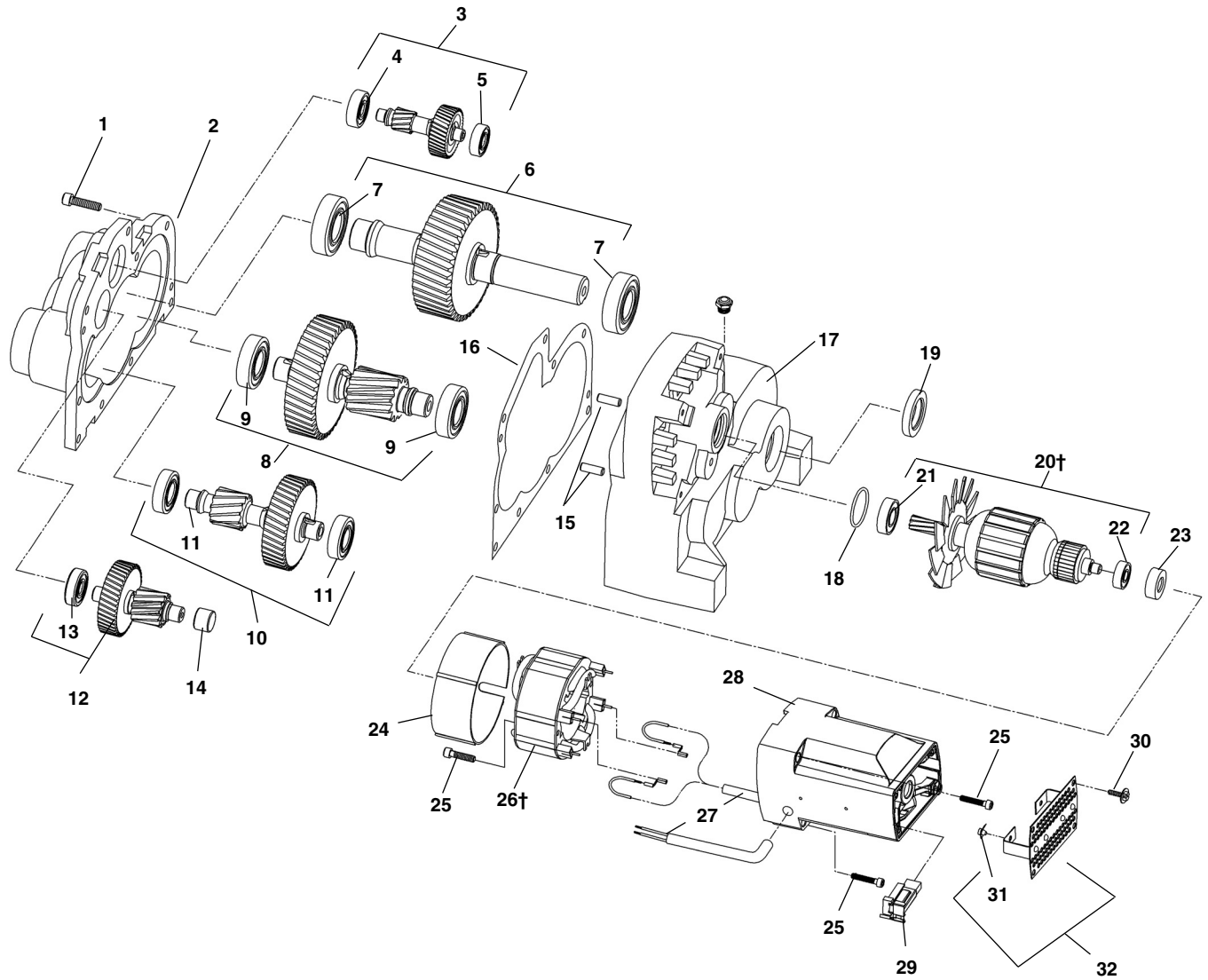
Ref. No.	Catalog No.	Description
1	65557	Motor Shroud
2	49142	Hydraulic Hose Assembly – 115V, 230V
	61372	Hydraulic Hose Assembly – 100V
3	61132	Hydraulic Pump Complete
4	60005	Hex Screw, 1/4" - 20 x 3/4" (4)
5	44740	Lock Washer 1/4" (4)
6	40260	Screws #10 - 24 x 1/2" S.H.C.S. (5)
7	45365	Flat Washer, #10 (5)
8	58052	Hex Screw, 3/8" - 16 x 2 1/2" (4)
9	87527	Pump Mount Plate, 115V, 230V
	65552	Pump Mount Plate, 100V
10	40930	Lock Washer 3/8"
11	45385	Wing Nut, 3/8" - 16" (5)
12	65577	Base Plate
13	65567	Drive Coupling
14	45500	Hex Screw, 1/2" - 13 x 1 1/4" (2)
15	61367	Plow Bolt
16	65112	Rubber Grommet
17	61362	Wing Screw, 3/8" - 16 x 3/4"
18	45470	Hex Screw 3/8" - 16 x 1"



**NOTE: Order parts by Catalog Number only.
DO NOT order by Reference Number.**

Ref. No.	Catalog No.	Description	Ref. No.	Catalog No.	Description	Ref. No.	Catalog No.	Description
1	49117	Depth Adjustment Nut	18	49102	Upper Roll Shaft (Incls. Ref. 8, 22)	34	49257	Label, Warning
2	49112	Depth Rod	19	49252	Hex Screw, 1/4" - 20 x 1" (2)	35	49212	Hex Screw, 1/4" - 20 x 1 3/8" (2)
3	49122	Spring	20	46860	Grease Fitting (4)	36	49197	Guard (Incls. Ref. 29)
4	60995	Flat Washer, 3/4"	21	87610	Roller Bearing	37	49127	Bearing
5	49262	Label, Depth Adjustment	22	27002	Key, 3/16" Sq. x 1 5/16"	38	49192	Spiral Retaining Ring
6	49147	Hydraulic Cylinder	23	49107	Set of 2 Slide Keys	39	49057	Lower Roll Housing (Incls. Ref. 20)
7	49142	Hydraulic Hose Assembly - 115V/230V	24	51427	Drive Shaft, 2" - 6" Sch 10 & 40	40	49177	Retaining Ring
8	46915	Hydraulic Hose Assembly - 100V	25	51432	Drive Shaft Assy. - same as above and includes Ref. 31, 37	41	49172	Lock Pin
9	87695	Grease Fitting - 65 Deg.		51817	Drive Shaft, 8" - 12" Sch. 10, 8" Sch 40	42	44915	Spring
10	87710	Roller Bearing		51812	Drive Shaft Assy. - same as above and includes Ref. 31, 37	43	49132	Retaining Plate
11	49062	Upper Roll Housing (Incls. Ref. 9, 10, 16, 17, 20, 21)	25	87600	Roller Bearing (2)	44	60265	Hex Screw, 1/4" - 20 x 1/2" (3)
12	49152	Lock Ring	26	49187	Spiral Retaining Ring	45	49667	Hex Bolt 5/8" - 11 x 7"
13	49082	Piston Rod Coupling	27	91000	Seal	46	49067	Drive Shaft - for 1", 1 1/4", 1 1/2" Rolls and Copper Roll 2" - 6"
14	45192	Cone Pt. Screw, 1/4" - 20 x 3/8"	28	49157	Drive Roll, 1"		49627	Drive Shaft Assy. - same as above and includes Ref. 37, 38, 45
15	49162	Groove Roll, 1"		49072	Drive Roll, 1 1/4" - 1 1/2"	47	35943	Cylinder Repair Kit
	49097	Groove Roll, 1 1/4" - 1 1/2"	29	49202	Set of 2 Spacers			Following Items Not Shown:
	49217	Groove Roll 2" - 6" SC 10/40	30	49207	Label, Warning		49087	T-Handle Hex Key, 1/8"
	51822	Groove Roll, 8" - 12" Sch. 10, 8" Sch 40	31	49607	Bearing Retaining Nut		53987	Roll Storage Case
	50127	Groove Roll, Copper 2" - 6"	32	84150	Lock Washer, 1/2" (2)		54317	Box Wrench
16	45265	Set Screw, 1/4" - 20 x 1/2"	33	45500	Hex Screw, 1/2" x 1 1/4" (2)		67192	Spanner Wrench
17	87690	Seal					67197	Hex Key 3/8"

Motor Transmission Type 2 – Early Style

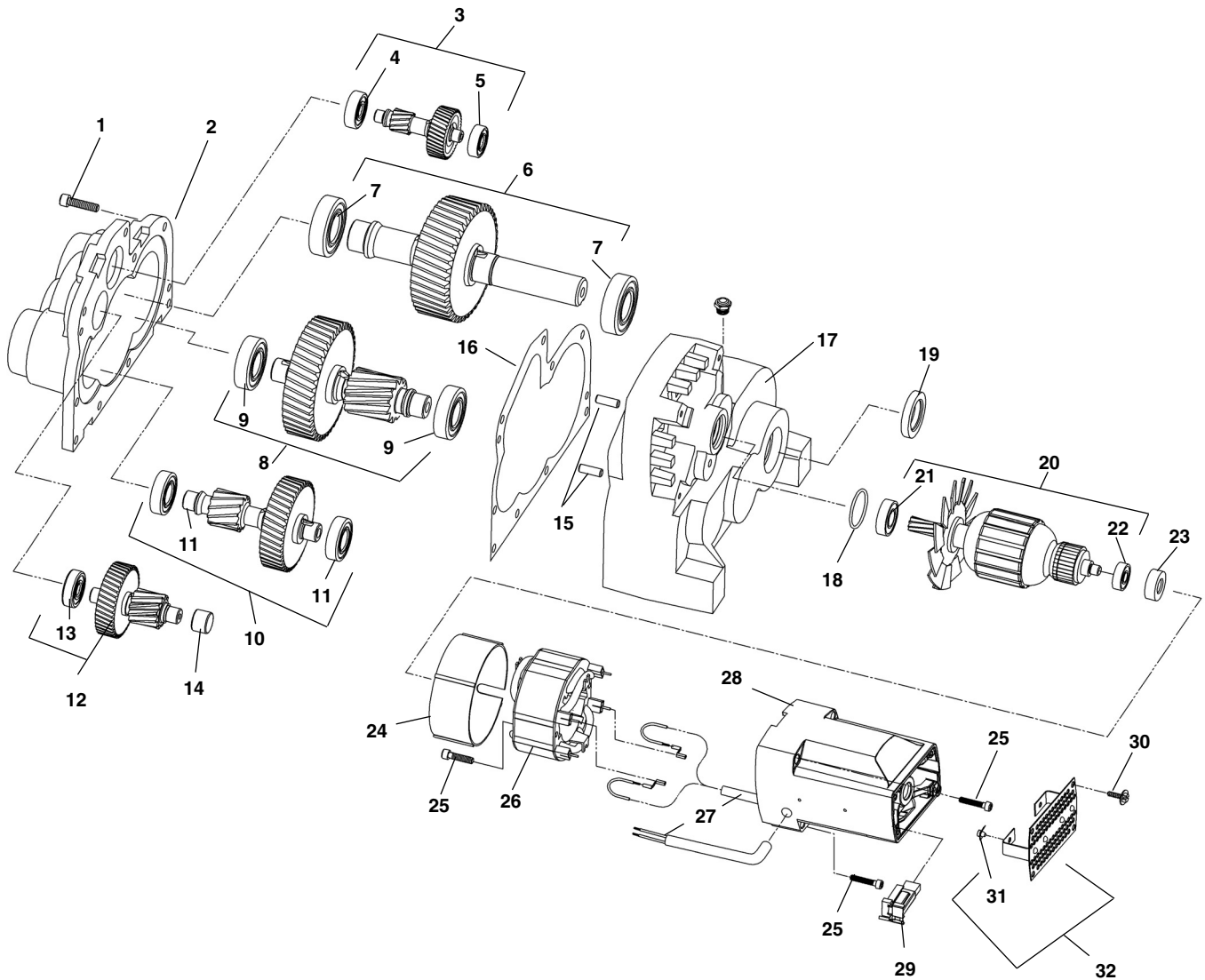


**NOTE: Order parts by Catalog Number only.
DO NOT order by Reference Number.**

Ref. No.	Catalog No.	Description	Ref. No.	Catalog No.	Description	Ref. No.	Catalog No.	Description
1	83685	Screws	14	65492	Needle Bearing	24	35328	Fan Shroud
2	65452	Transmission Housing Cover	15	44640	Dowel Pin (2)	25	10923	Screw #10-24 x 2" (6)
3	65457	1st Intermediate Gear Assembly	16	65502	Gasket	†26	58572	Field Assembly – 100V
4	44760	Ball Bearing	17	65507	Transmission Housing		45897	Field Assembly – 115V
5	59147	Ball Bearing	18	60227	O-Ring Seal		58567	Field Assembly – 230V
6	65462	Output Shaft Assembly	19	65512	Grease Seal	27	58562	Wiring Harness
7	45315	Ball Bearing (2)	†20	58557	Armature Assembly – 100V	28	22043	Motor Housing
8	65467	4th Intermediate Gear Assembly		40907	Armature Assembly – 115V	29	34078	Brush/Holder Set – 100V, 115V
9	44565	Ball Bearing (2)		58552	Armature Assembly – 230V		34083	Brush/Holder Set – 230V
10	65472	3rd Intermediate Gear Assembly	21	45912	Ball Bearing	30	10908	Screw (4)
11	65477	Ball Bearing (2)	22	43017	Ball Bearing	31	10918	Bumper (2)
12	65482	2nd Intermediate Gear Assembly	23	42777	Bearing Mount	32	10913	Motor Housing Cover
13	65487	Ball Bearing						

† Service Note: When replacing early style 115V or 230V armature# or field# you must replace with both new style armature#, field# and brushes#.

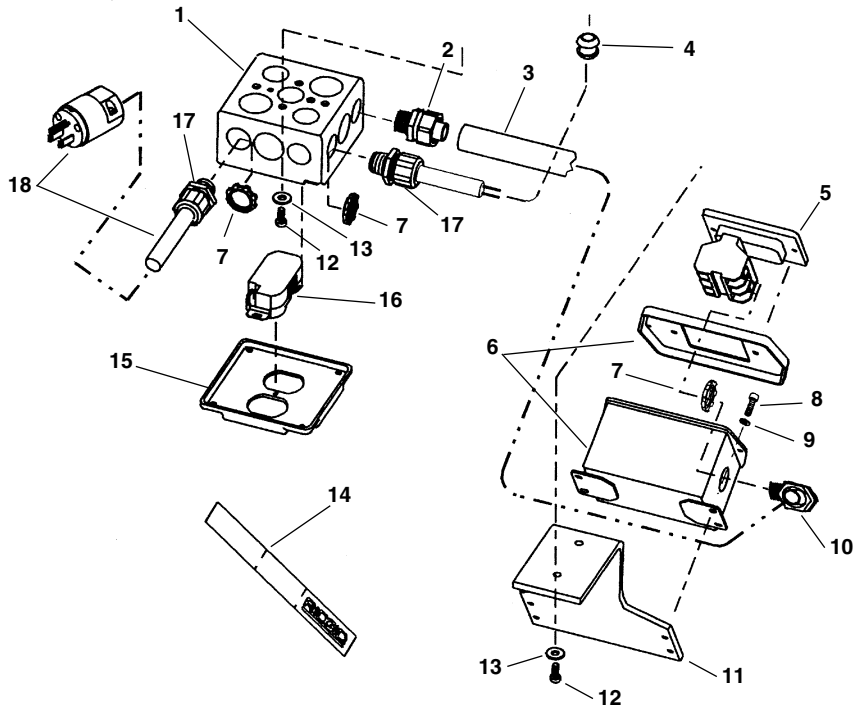
Motor Transmission Type 2 – Motors built after Serial Number EAH XXXX 1109



**NOTE: Order parts by Catalog Number only.
DO NOT order by Reference Number.**

Ref. No.	Catalog No.	Description	Ref. No.	Catalog No.	Description	Ref. No.	Catalog No.	Description
1	83685	Screws	14	65492	Needle Bearing	24	35328	Fan Shroud
2	65452	Transmission Housing Cover	15	44640	Dowel Pin (2)	25	10923	Screw #10-24 x 2" (6)
3	65457	1st Intermediate Gear Assembly	16	65502	Gasket	26	38848	Field Assembly - 115V
4	44760	Ball Bearing	17	65507	Transmission Housing		38853	Field Assembly - 230V
5	59147	Ball Bearing	18	60227	O-Ring Seal		38858	Field Assembly - 100V
6	65462	Output Shaft Assembly	19	65512	Grease Seal	27	58562	Wiring Harness
7	45315	Ball Bearing(2)	20	40943	Armature Assembly -115V	28	22043	Motor Housing
8	65467	4th Intermediate Gear Assembly		40948	Armature Assembly - 230V	29	34078	Brush Holder Assembly -100V, 115V
9	44565	Ball Bearing (2)		40953	Armature Assembly - 100V		34083	Brush Holder Assembly - 230V
10	65472	3rd Intermediate Gear Assembly	21	45912	Ball Bearing	30	10908	Screw (4)
11	65477	Ball Bearing (2)	22	43017	Ball Bearing	31	10918	Bumper (2)
12	65482	2nd Intermediate Gear Assebmly	23	42777	Bearing Mount	32	10913	Motor Housing Cover
13	65487	Ball Bearing						

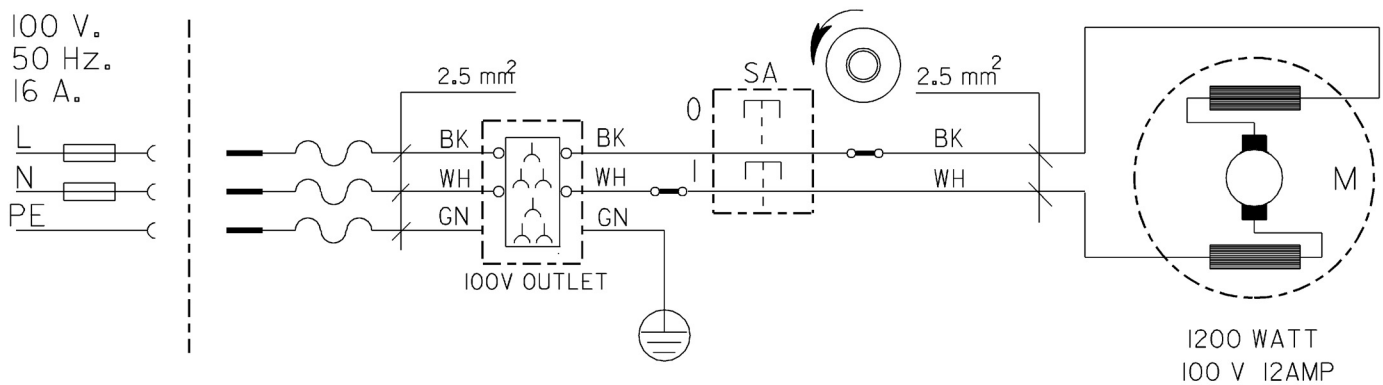
Electrical, 100V



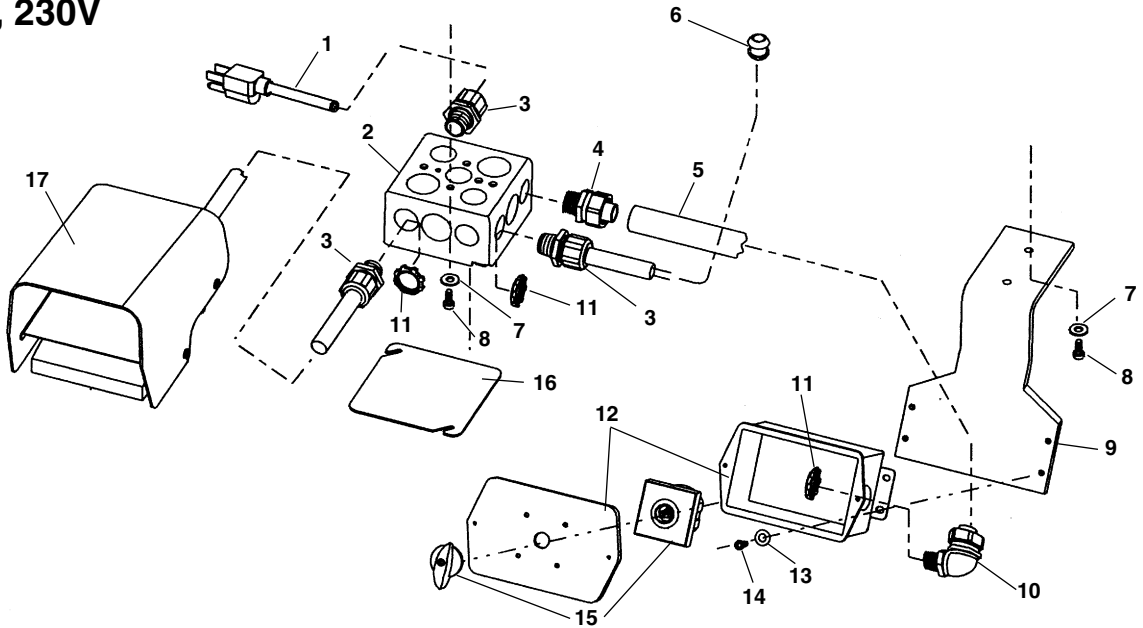
**NOTE: Order parts by Catalog Number only.
DO NOT order by Reference Number.**

Ref. No.	Catalog No.	Description
1	65587	Junction Box
2	65607	Conduit Fitting, 1/2" Straight
3	65612	Flexible Conduit, 1/2"
4	65112	Rubber Grommet
5	54227	Switch, Push Button
6	65637	Switch Box w/Cover
7	65642	Locknut, 1/2" NPT (4)
8	45750	Screw #10 - 24 x 3/8" S.H.C.S (4)
9	45365	Flat Washer, #10 (2)
10	65647	Fitting, 90 Deg, 1/2"
11	61337	Switch Bracket
12	60005	Hex Screw, 1/4" - 20 x 3/4" (2)
13	44740	Lock Washer 1/4" (2)
14	65582	Lanyard
15	65597	Junction Box Cover
16	65592	Outlet
17	65602	Strain Relief (2)
18	46740	Power Cord w/Plug

Wiring Diagram



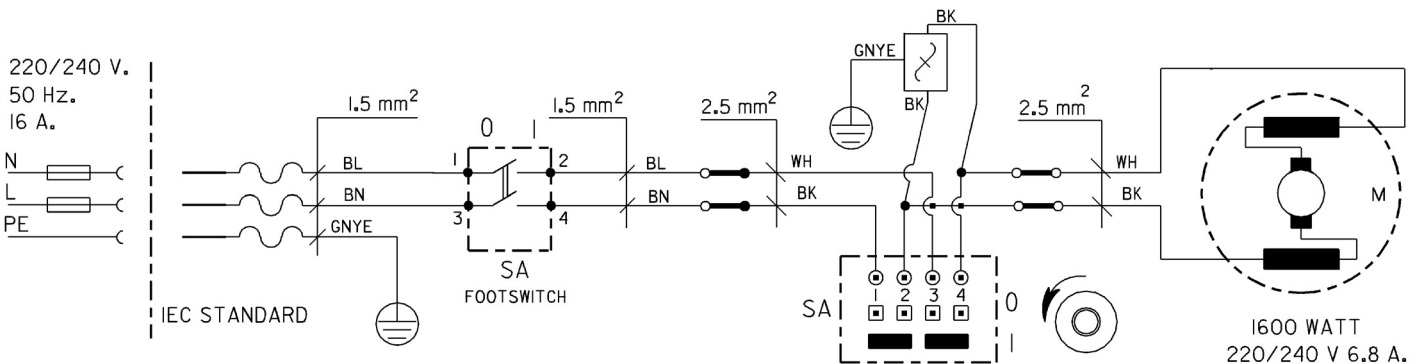
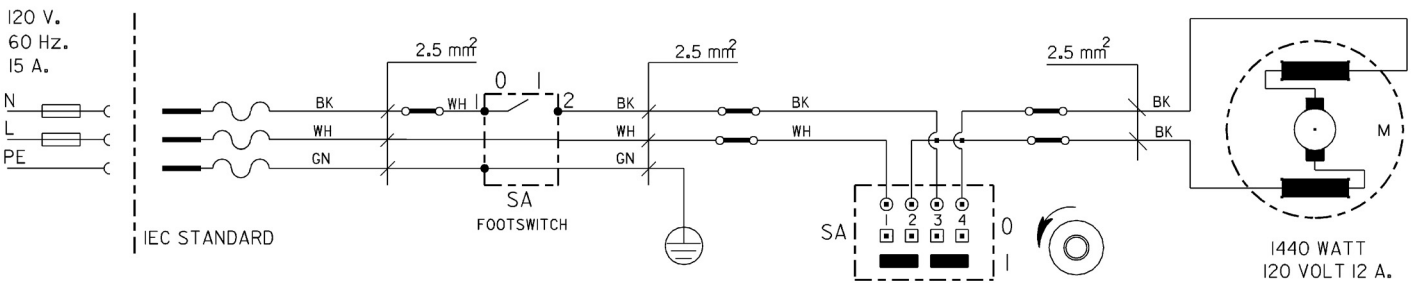
Electrical, 115V, 230V



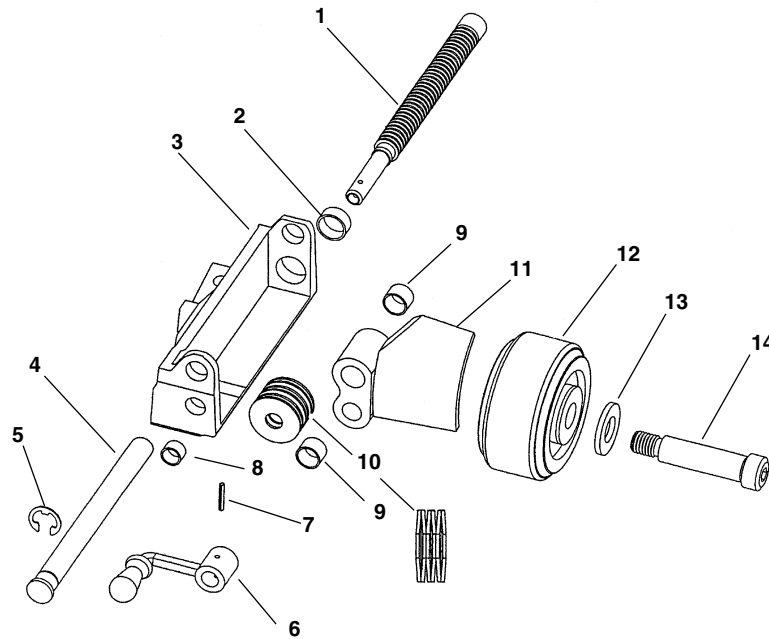
NOTE: Order parts by Catalog Number only.
DO NOT order by Reference Number.

Ref. No.	Catalog No.	Description	Ref. No.	Catalog No.	Description
1	46740	Power Cord w/Plug	10	65647	Fitting, 90 Deg. 1/2"
2	65587	Junction Box	11	65642	Locknut, 1/2" NPT (5)
3	65602	Strain Relief (3)	12	65962	Switch Box w/Cover
4	65607	Conduit Fitting, 1/2" Straight	13	45365	Flat Washer, #10 (4)
5	65612	Flexible Conduit, 1/2"	14	45750	Screw #10 - 24 x 3/8" S.H.C.S. (4)
6	65112	Rubber Grommet	15	20108	Switch w/Knob
7	44740	Lock Washer 1/4" (4)	16	65977	Junction Box Cover
8	60005	Hex Screw, 1/4" - 20 x 3/4" (4)	17	36642	Foot Switch, B-294, 115V Model
9	61337	Switch Bracket		40017	Foot Switch, B-298, 230V Model

Wiring Diagram



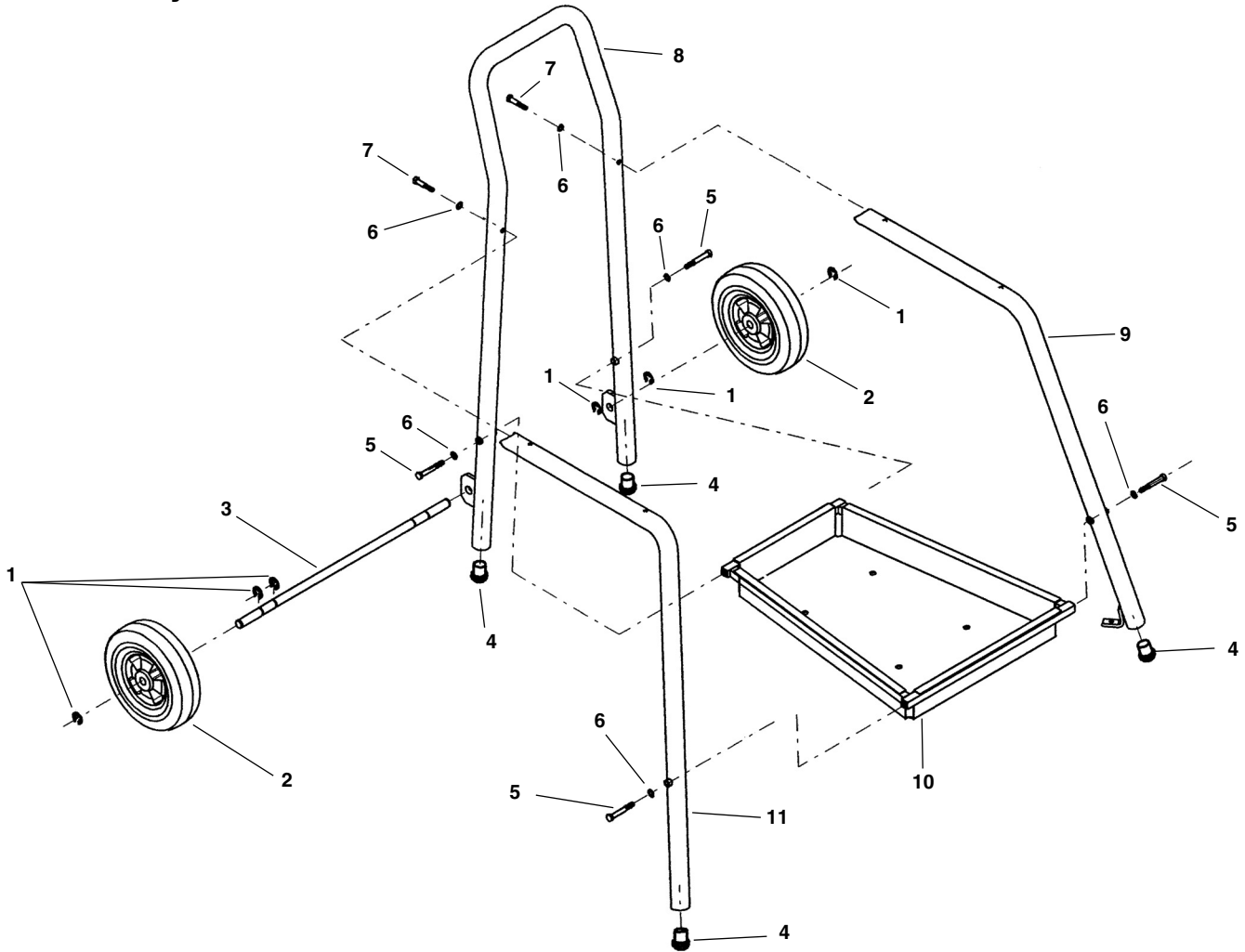
Stabilizer



**NOTE: Order parts by Catalog Number only.
DO NOT order by Reference Number.**

Ref. No.	Catalog No.	Description
—	59992	Stabilizer Kit, Non-Operator Side
—	59997	Stabilizer Kit, Operator Side
1	61802	Feed Screw
2	61817	Bearing, $\frac{3}{4}$ " x $\frac{3}{8}$ "
3	61797	Slide Box, Operator Side
	61792	Slide Box, Non-Operator Side
4	61832	Guide Shaft
5	42580	E-Ring
6	53087	Crank Handle
7	55222	Pin
8	53072	Bearing, $\frac{1}{2}$ " x $\frac{3}{8}$ "
9	61822	Set of 2 Bearing, $\frac{5}{8}$ " x $\frac{1}{2}$ "
10	61827	Set of 6 Bellville Washers
11	61812	Slide, Operator Side
	61807	Slide, Non-Operator Side
12	53052	Wheel
13	60995	Washer
14	53097	Shoulder Bolt

Cart Assembly

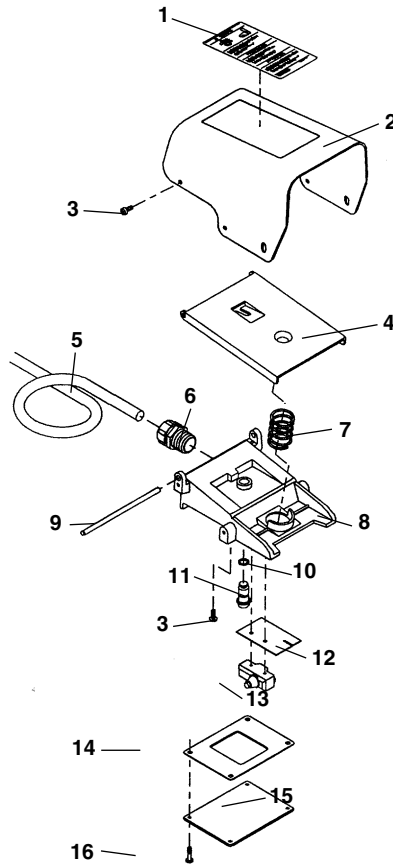


**NOTE: Order parts by Catalog Number only.
DO NOT order by Reference Number.**

Ref. No.	Catalog No.	Description
	64192	Stand Complete
1	58850	Retaining Ring (6)
2	23602	Wheel, 10" Dia. (2)
3	65522	Wheel Axle
4	61470	Rubber Foot (4)
5	46675	Hex Screw $\frac{3}{8}$ " - 16 x $2\frac{3}{4}$ " (4)
6	40930	Lock Washer $\frac{3}{8}$ " (6)
7	58052	Hex Screw, $\frac{3}{8}$ " - 16 x $2\frac{1}{2}$ " (2)
8	65527	Rear Leg Support/Handle - U.S.
	61342	Rear Leg Support/Handle - Export
9	65537	Leg, Right Front - U.S.
	61347	Leg, Right Front - Export
10	65542	Tool Tray Assembly
11	65547	Leg, Left Front - U.S.
	61352	Leg, Left Front - Export

**B-294
B-295
301-A
B-294 HD**

**NOTE: Order parts by Catalog Number only.
DO NOT order by Reference Number.**



Ref. No.	Catalog No.	Description
—	36642	B-294 Foot Switch
—	36647	B-295 Foot Switch
—	36662	301-A Foot Switch
—	75962	B-294 HD Foot Switch
1	36667	Warning Label (B-294)
	36672	Warning Label (B-295)
	36687	Warning Label (301-A)
	76352	Warning Label (B-294 HD)
2	36692	Cover
3	36787	Screw #10 Self-tapping (5)
4	36697	Foot Pedal
5	68880	Cord (B-294)
	36712	Cord (B-295)
	36727	Cord (301-A)
	75972	Cord (B-294 HD)
6	36732	Cord Connector
	75977	Cord Connector (B-294 HD)
7	36702	Spring
8	54347	Base
9	36747	Pivot Pin
10	36767	O-Ring
11	36772	Poppet
12	54367	Insulator
13	36762	Micro Switch
14	54372	Seal
15	54362	Bottom Cover
16	54357	Bottom Cover Screw (4)