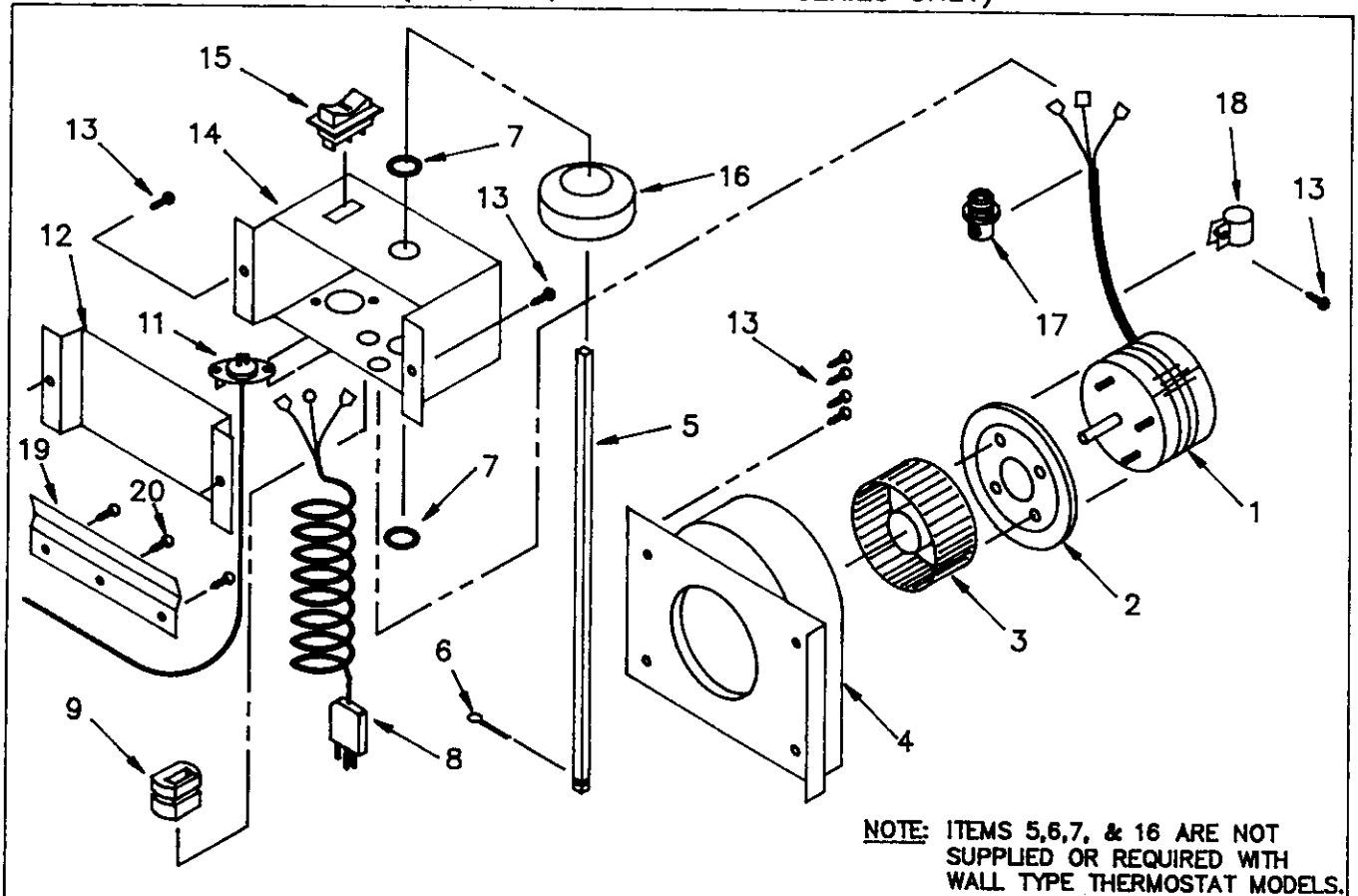


INSTALLATION & OPERATING INSTRUCTION

2101 - BLOWER ACCESSORY

- REPLACEMENT PARTS -

(350, 500, & 650 MODEL SERIES ONLY)



NOTE: ITEMS 5,6,7, & 16 ARE NOT SUPPLIED OR REQUIRED WITH WALL TYPE THERMOSTAT MODELS.

- REPLACEMENT PARTS LIST -

(USE ONLY MANUFACTURES AUTHORIZED PARTS)

ITEM NO.	PART NO.	DESCRIPTION	ITEM NO.	PART NO.	DESCRIPTION
1	P500250	ASSEMBLY, MOTOR	11	P500263	FAN LIMIT SWITCH
2	K7003-6087	PLATE, MOTOR MTG.	12	K000062	BASE, CONTROL BOX
3	P500137	BLOWER WHEEL	13	P065800	SCREW, #10 X 1/2
4	K5150-6029	ASSY, BLOWER HOUSING	14	K000061	WRAPAROUND CONTROL BOX
5	SEE PAGE 21 ITEM 18	CONTROL ROD	15	P320911A	SPEED SELECT SWITCH
6	P500125	COTTER PIN	16	SEE PAGE 21 ITEM 24	TEMPERATURE DIAL
7	P500026	GROMMET, WHITE	17	P500145	SET SCREW, BOX CON.
8	P500156	CORD & PLUG	18	K000143	CABLE CLAMP
9	P500158	BUSHING - STRAIN	19	PART OF FURNACE	SENSOR MOUNTING BRACKET
10	P097500	SCREW, #8-32 X 3/8	20	PART OF FURNACE	SCREW, #8 X 3/8 S.M.

NOTE: Screws, bolts and washers are standard hardware items and may be purchased locally.