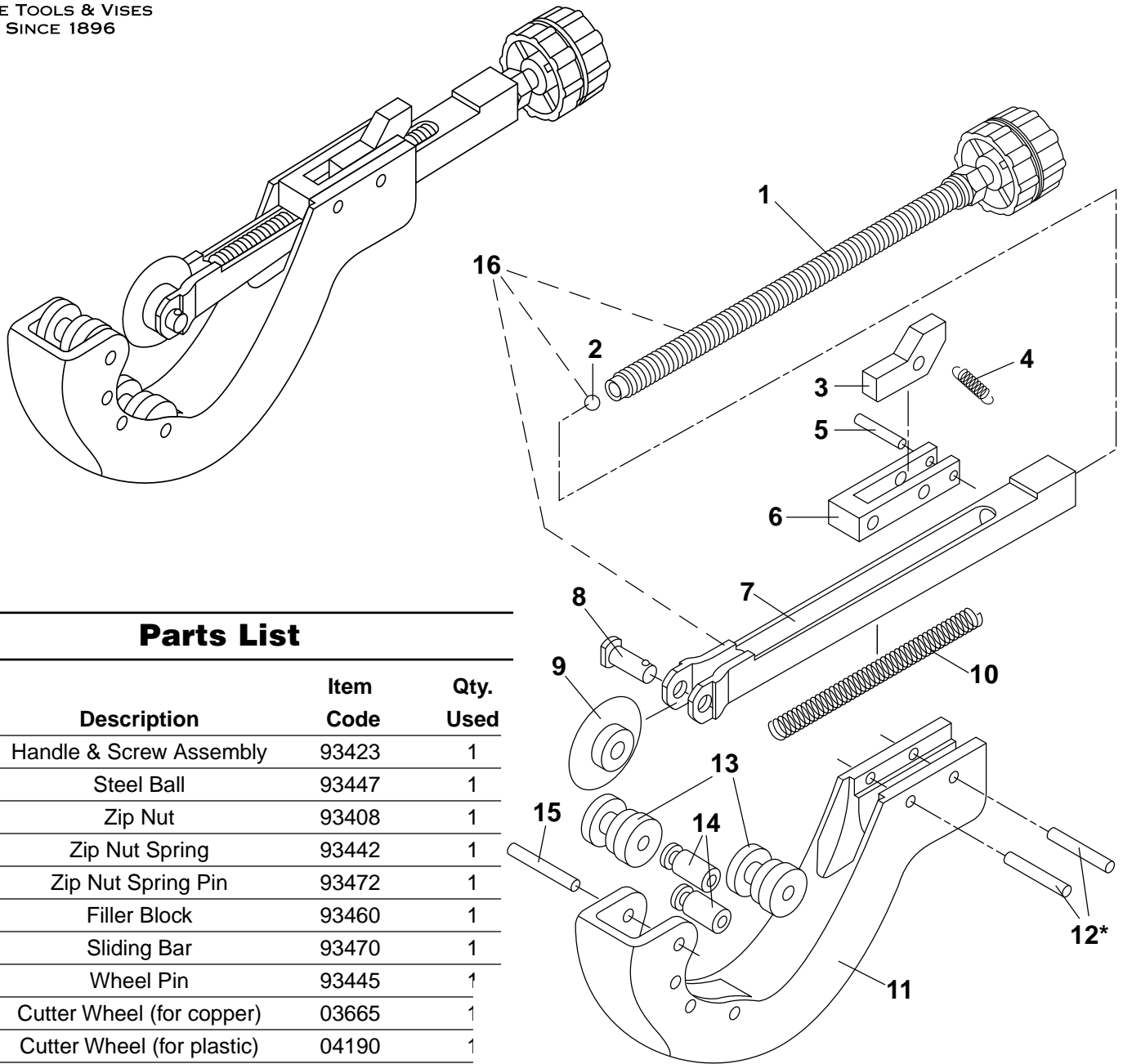




PIPE TOOLS & VISES  
SINCE 1896

# Tubing Cutters (TC3Q & TC3QP)

## Replacement Parts

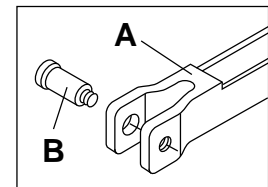


### Parts List

Ref. No.	Description	Item Code	Qty. Used
1	Handle & Screw Assembly	93423	1
2	Steel Ball	93447	1
3	Zip Nut	93408	1
4	Zip Nut Spring	93442	1
5	Zip Nut Spring Pin	93472	1
6	Filler Block	93460	1
7	Sliding Bar	93470	1
8	Wheel Pin	93445	1
9	Cutter Wheel (for copper)	03665	1
9	Cutter Wheel (for plastic)	04190	1
10	Bar Spring	93412	1
11	Body	93192	1
12*	Block Pin	30038	2
13	Large Roller	93420	2
14	Small Roller	93418	2
15	Roller Pin	93437	4
Sliding Bar Assembly listed below consists of #1, #2 & #7			
16	Sliding Bar Assembly	93409	1

\* For old style TC3Q body use block pin #93462

Old style sliding bar



A 93467 Slide Bar  
B 93431 Wheel Pin Screw

Reed Manufacturing Company  
1425 West 8th Street  
Erie, PA 16502 USA

**QUALITY**  
**& Service**  
that Lasts a Lifetime

Phone: 800-666-3691 or 814-452-3691  
Fax: 800-456-1697 or 814-455-1697

RP-805-19