

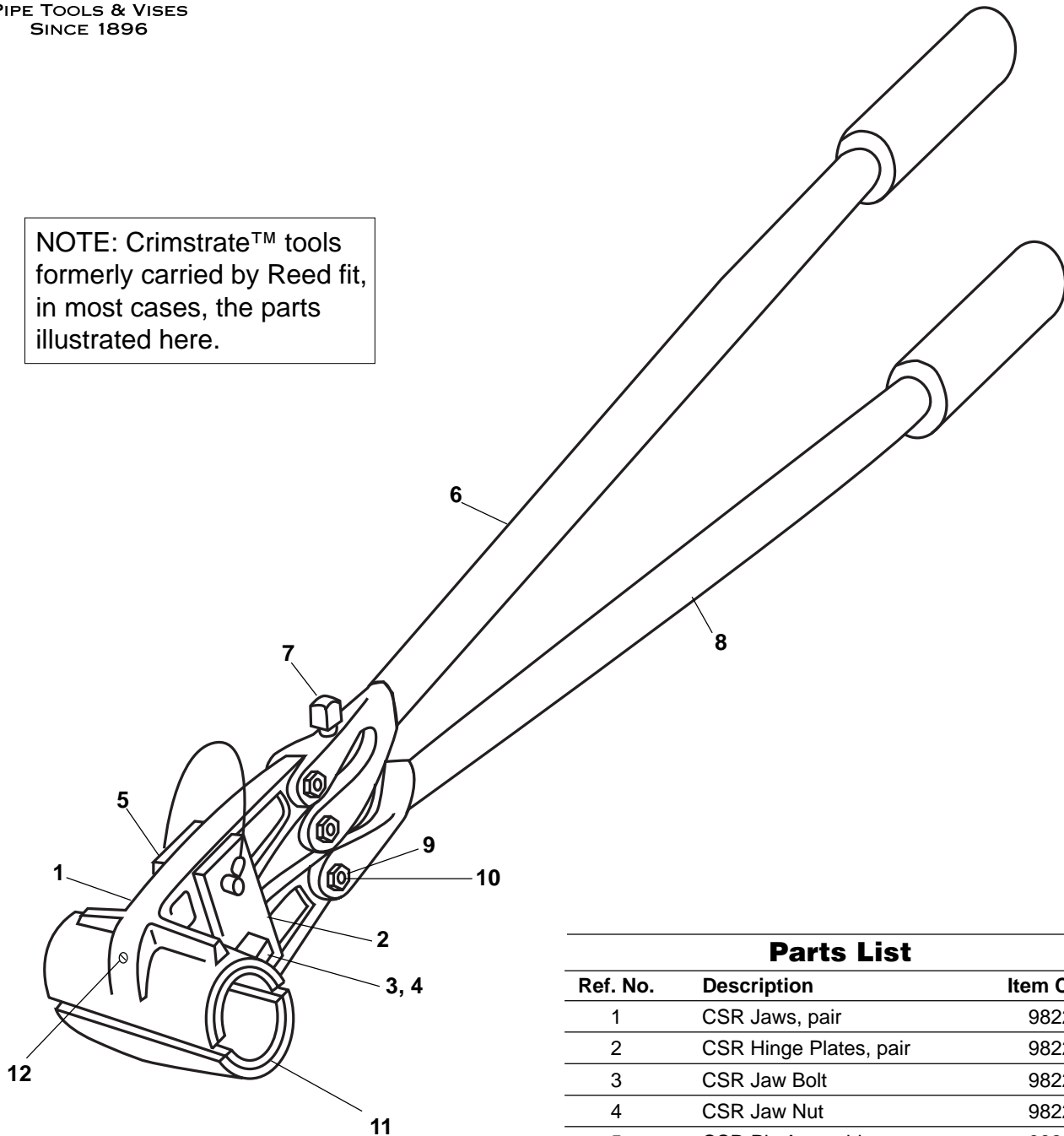


PIPE TOOLS & VISES
SINCE 1896

Round It™ Straightener/Rerounder

Replacement Parts

NOTE: Crimstrate™ tools formerly carried by Reed fit, in most cases, the parts illustrated here.



Parts List

Ref. No.	Description	Item Code
1	CSR Jaws, pair	98220
2	CSR Hinge Plates, pair	98221
3	CSR Jaw Bolt	98222
4	CSR Jaw Nut	98223
5	CSR Pin Assembly	98224
6	CSR Adjustable Handle	98225
7	CSR Adjustable Screw (3)	98226
8	CSR Fixed Handle	98227
9	CSR Handle Screws (3)	98228
10	CSR Handle Nuts (3)	98229
11	CSR Insert 1 1/2 Tube, pair	08224
12	CSR Insert Screw	98230

Reed Manufacturing Company
1425 West 8th St.
Erie, PA 16502 USA



Phone: 800-666-3691 or 814-452-3691
Fax: 800-456-1697 or 814-455-1697

RP-902-25