

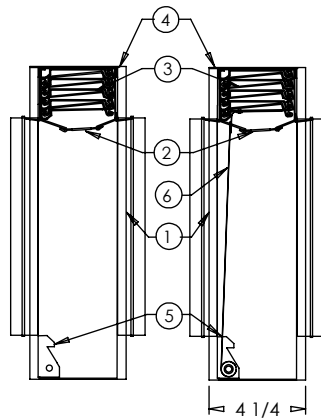
2650


**2649 Series & 2650 Series  
 Standard Frame Curtain-Type  
 1 1/2 Hour Fire Damper**
**Standard:**

- 2649 - Round for Vertical mount only. Available in 4" thru 52"
- 2650 - Round Spring actuated (6) for Vertical or Horizontal mount. Available in 4" thru 52"
- 4 1/4" Standard frame style
- Interlocking steel roll-formed blade (3) with roll-formed frames (1)
- Blade Lock (5)
- Damper manufactured from corrosion tested galvanized mild steel (G-90)
- Self locking corner (4)
- 165°F replaceable fusible link (2)

**Optional:**

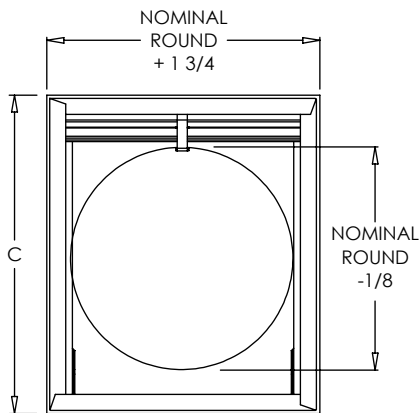
- 304 stainless steel
- Sleeve variations



2649

2650

4 1/4"



2649 &amp; 2650

Frame Height 'C'	
Duct Size	Height (C)
4-7"	+1 3/4"
8-16"	+2 3/4"
17-26"	+3 3/4"
27-35"	+4 3/4"
36-44"	+5 3/4"
45-52"	+6 3/4"

Frame Height chart Example:  
 Height 'C' for 20" duct would be  
 23 3/4"

PROJECT	SUBMITTAL REVIEW
LOCATION	
ENGINEER	
ARCHITECT	
CONTRACTOR	