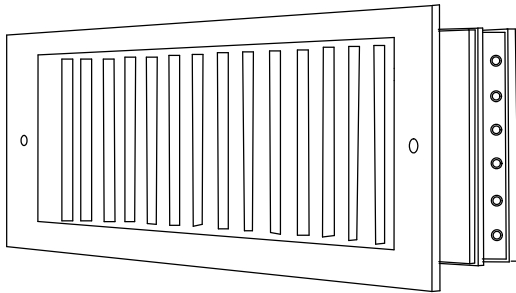


908 F/B Series
Vertical Fixed Blade

Standard:

- All extruded aluminum (.055 T6) surface mount diffuser
- Fixed Airfoil blades at 0° parallel to shortest dimension
- Countersunk screwholes for flush appearance with color matching Phillips posi-drive screws
- Soft White

Optional:

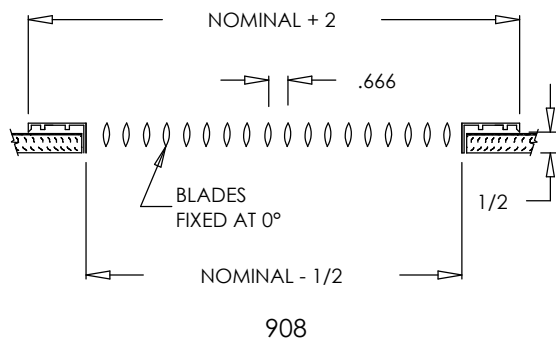
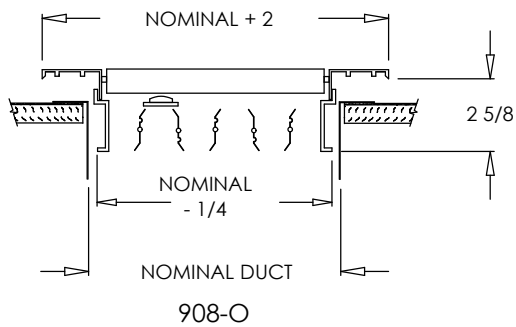
- Recessed screwdriver operated Opposed Blade Damper (908 O)
- Fractional O.D. and I.D. sizes available
- Tamper proof screws
 - "E" One Way
 - "F" Torx Center Pin
 - "G" Hex Center Pin
- Reinforced construction (908 HD)
- Insect Screen (908 IS)

Finishes:

- Driftwood Tan
- Satin Anodized "F"

Designer Colors:

- | | |
|--|---------------------------------------|
| <input type="checkbox"/> Navajo White | <input type="checkbox"/> Royal Blue |
| <input type="checkbox"/> Forest Green | <input type="checkbox"/> Coffee Tan |
| <input type="checkbox"/> Burgundy | <input type="checkbox"/> Almond |
| <input type="checkbox"/> Camaro Silver | <input type="checkbox"/> Black velvet |
| <input type="checkbox"/> Bronze | <input type="checkbox"/> Vanilla |



PROJECT	SUBMITTAL REVIEW
LOCATION	
ENGINEER	
ARCHITECT	
CONTRACTOR	