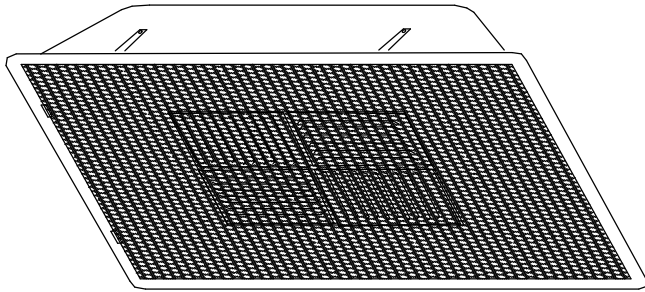


780 Series Perforated T-Bar Adjustable Pattern Controllers

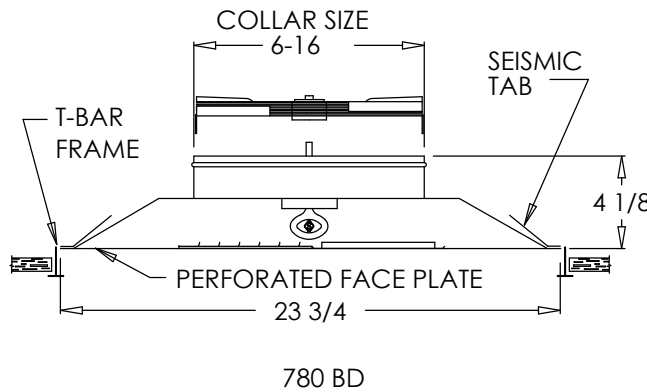
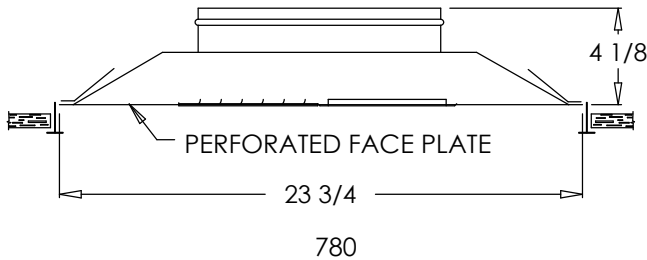


Standard:

- Airflow can be adjusted to 1, 2, 3 or 4 way patterns
- Spring push release for easy access to adjust pattern controllers
- Round No Labor Collars: 6, 7, 8, 10, 12, 14, & 16"
- 2 x 2 galvaneal steel panel with seismic support hangers
- Soft White

Optional:

- Field installable Bowtie Damper on sizes 6-14" (780 BD)
- Factory intalled Opposed Radial Damper sizes 6"-14" (780 OR)
- Square collar
- TVB - Thermal Vapor Blanket: 1" thick 2 x 2 foil faced self adhesive insulation blanket

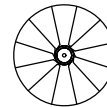


BD

Open



Closed



PROJECT	SUBMITTAL REVIEW
LOCATION	
ENGINEER	
ARCHITECT	
CONTRACTOR	