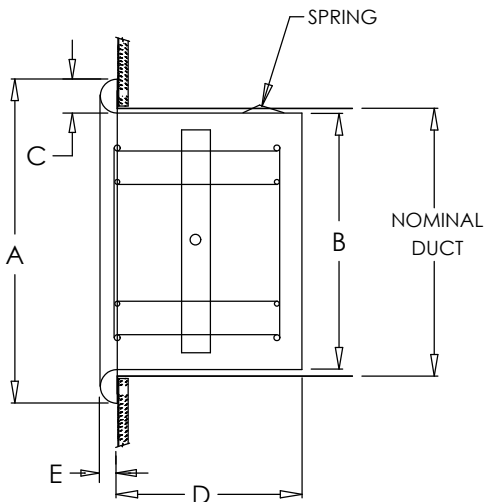
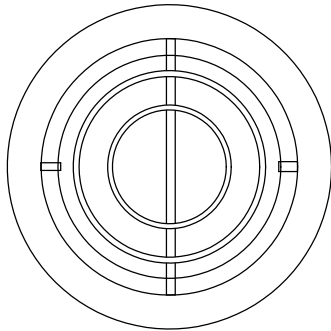
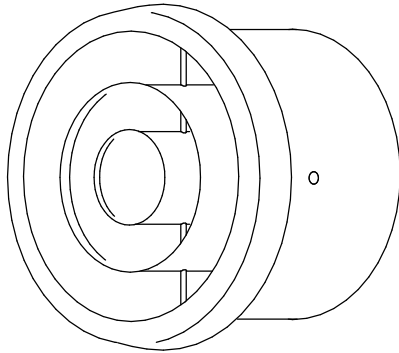


**1203 Series  
 Aluminum Turbo Nozzle Diffuser**

**Standard:**

- Aluminum construction deep housing and inner concentric rings
- Designed for high volume long throw applications
- Easily installed with use of strong spring clips
- No screwholes offers clean appearance for wall mount
- Anodized finish

**Optional:**

- Countersunk screwholes for ceiling mount

**Finishes:**

- Soft White

- Driftwood Tan

**Designer Colors**

- |  |                                       |
|--|---------------------------------------|
| <input type="checkbox"/> Navajo White  | <input type="checkbox"/> Royal Blue   |
| <input type="checkbox"/> Forest Green  | <input type="checkbox"/> Coffee Tan   |
| <input type="checkbox"/> Burgundy      | <input type="checkbox"/> Almond       |
| <input type="checkbox"/> Camaro Silver | <input type="checkbox"/> Black velvet |
| <input type="checkbox"/> Bronze        | <input type="checkbox"/> Vanilla      |

'1203' Dimensions Listed in Inches

Size	A	B	C	D	E
4"	4 3/4"	3 5/8"	5/8"	2"	1/2"
6"	7 3/16"	5 17/32"	7/8"	3 11/16"	11/16"
8"	9 13/32"	7 17/32"	1"	4 1/4"	3/4"
10"	11 7/8"	9 1/2"	1 1/4"	5 1/16"	15/16"
12"	14 11/32"	11 15/32"	1 1/2"	4 7/8"	1 1/8"
14"	16 5/8"	13 7/16"	1 21/32"	4 3/4"	1 7/32"
16"	18 25/32"	15 13/32"	1 3/4"	4 11/16"	1 5/16"
20"	23 7/16"	19 9/16"	2"	6 1/2"	1 1/2"
24"	27 7/16"	23 9/16"	2"	6 1/2"	1 1/2"

PROJECT

SUBMITTAL REVIEW

LOCATION

ENGINEER

ARCHITECT

CONTRACTOR