

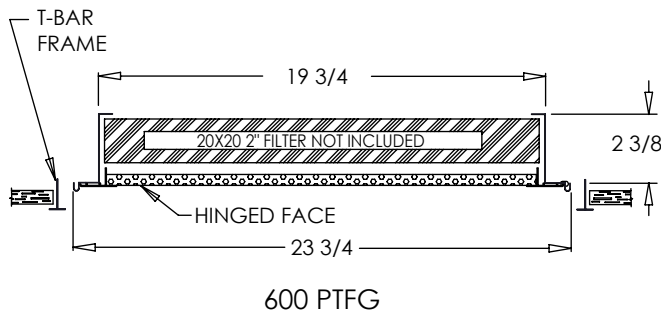
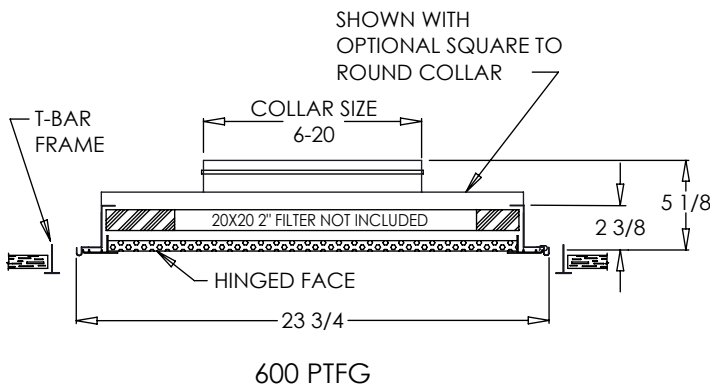
600 PTFG Series T-Bar Filter Grille

Standard:

- Removable perforated steel face return air T-Bar lay-in filter grille
- 3/16" holes on 1/4" staggered centers
- Square Collar for 20" x 20" duct
- 20" x 20" x 2" filter (not included)
- Seismic support holes
- Soft White

Optional:

- Square to round no labor collar 2 x 2 only
- 1 x 2 (20 x 8 filter not included)
- 2 x 4 (20 x 44 filter not included)



PROJECT	SUBMITTAL REVIEW
LOCATION	
ENGINEER	
ARCHITECT	
CONTRACTOR	