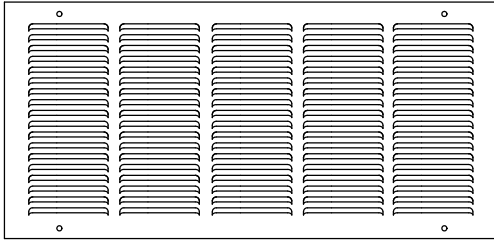


1075 Series Return Air Grille



Standard:

- 1/2" spacing dual angular louvers
- Louvers angled to allow greater free area
- Welded gussetts for added strength
- Countersunk mounting holes for flush appearance with color matching Philips posi-drive screws
- Soft White

Optional:

Finishes:

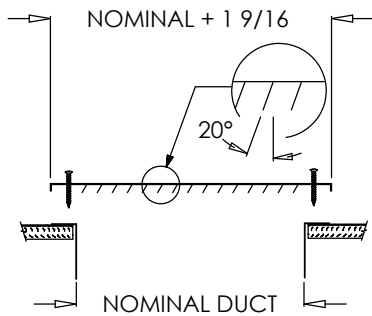
- Driftwood Tan

Designer Colors:

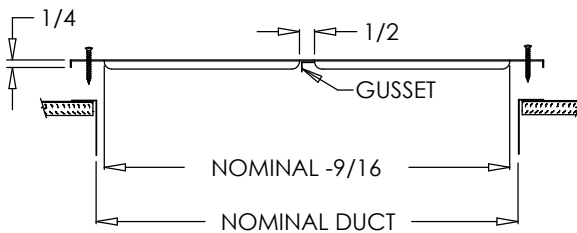
- | | |
|--|---------------------------------------|
| <input type="checkbox"/> Forest Green | <input type="checkbox"/> Royal Blue |
| <input type="checkbox"/> Burgundy | <input type="checkbox"/> Coffee Tan |
| <input type="checkbox"/> Camaro Silver | <input type="checkbox"/> Almond |
| <input type="checkbox"/> Bronze | <input type="checkbox"/> Black Velvet |
| <input type="checkbox"/> Navajo White | <input type="checkbox"/> Vanilla |

Tamper Proof Screws:

- "E" One Way
 "F" Torx Center Pin
 "G" Hex Center Pin



1075



1075

PROJECT	SUBMITTAL REVIEW
LOCATION	
ENGINEER	
ARCHITECT	
CONTRACTOR	