

600 Series Lattice Return Air Grille

Standard:

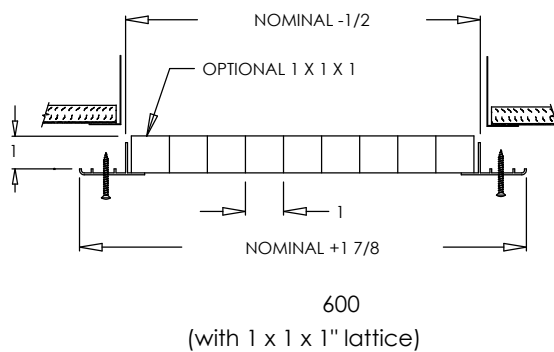
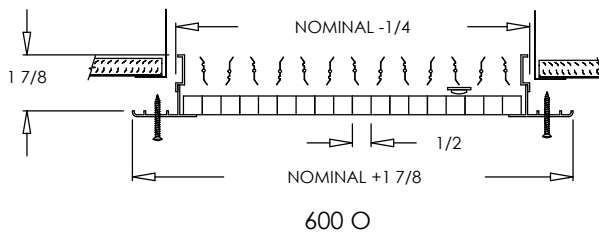
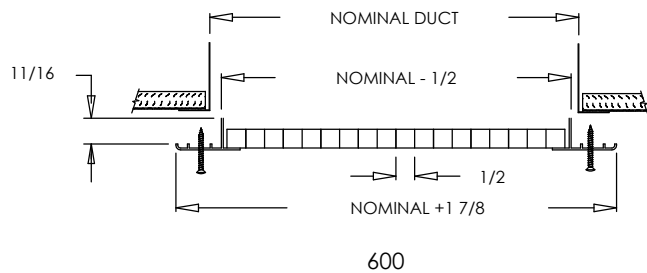
- 1/2" X 1/2" x 1/2" aluminum lattice return air grille
- Surface mount grille with .055 T6 extruded aluminum frame
- 90% free area
- Countersunk mounting holes for flush appearance with color matching Phillips posi-drive screws
- Soft White

Optional:

- Opposed blade damper (600 O)
- Square to round No Labor Collar on square sizes
- 1/2" x 1/2" x 1" Lattice
- 1" x 1" x 1" Lattice

Finishes:

- Driftwood Tan
- Designer Colors
- Satin Anodized "F"
- T-Bar mount (600 T)
- Fractional I.D. and O.D. sizes available
- Available in continuous lengths with butt joints
- Tamper Proof Screws
 - "E" One Way
 - "F" Torx Center Pin
 - "G" Hex Center Pin



PROJECT	SUBMITTAL REVIEW
LOCATION	
ENGINEER	
ARCHITECT	
CONTRACTOR	