

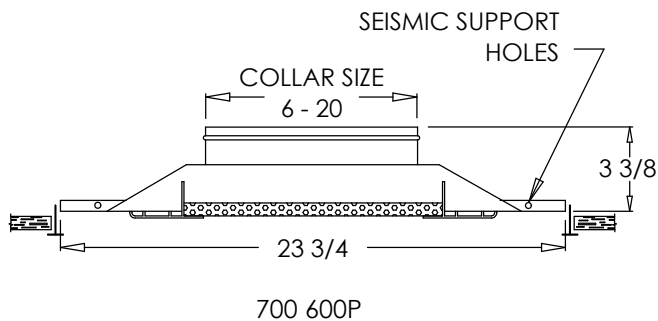
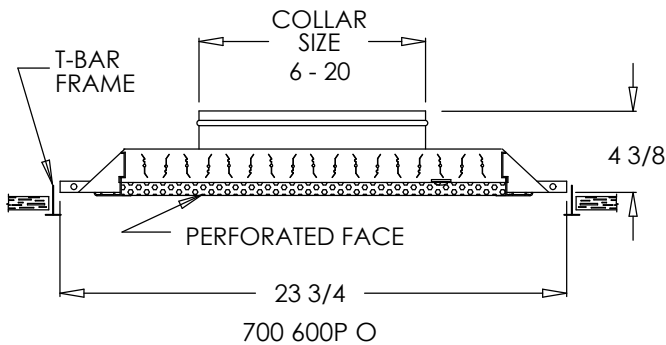
700-600 P Series Perforated T-Bar

Standard:

- 2 x 2 galvanized steel panel with seismic support holes
- Perforated face return air grille with aluminum flange (600P)
- 3/16" holes on 1/4" staggered centers
- Square to round No Labor Collar
- Soft White

Optional:

- Opposed Blade Damper (700 600P O)
- Square Collar
- TVB - Thermal Vapor Blanket: 1" thick 2 x 2 foil faced self-adhesive insulation blanket



PROJECT	SUBMITTAL REVIEW
LOCATION	
ENGINEER	
ARCHITECT	
CONTRACTOR	